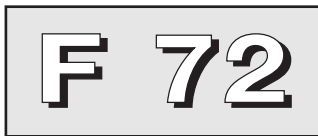


F 72

**CATALOGO PEZZI DI RICAMBIO
SPARE PARTS CATALOGUE
CATALOGUE DE PIECES
ERSATZTEILKATALOG**

1998



INDICE

TABLE OF CONTENT

INDEX

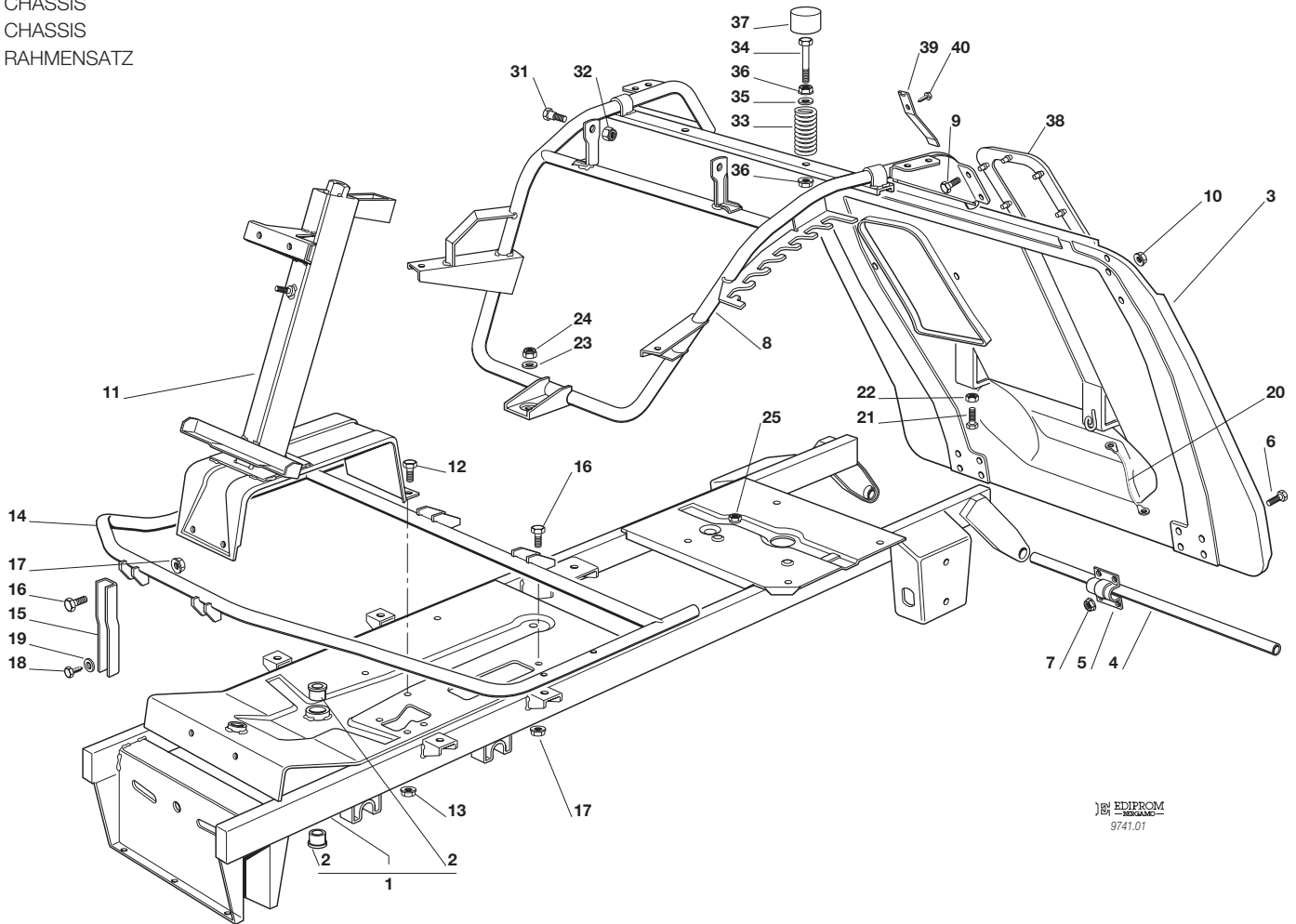
INHALT

Mod. 1998

000

| | F72 |
|--|---------------------------|
| TELAIO CHASSIS CHASSIS RAHMENSATZ | 001 |
| CORROZZERIA BODY CARROSSERIE KARROSSERIE | 002 |
| GRUPPO STERZO STEERING GROUP GROUPE BARRE DE DIRECTION LENKGETRIEBE | 003 |
| COMANDO FRENO E COMANDO CAMBIO BRAKE AND GEARBOX CONTROLS COMMANDE FREIN ET BOITE DE VITESSE BREMSE UND WECHSEL ANTRIEB | 004 |
| GRUPPO MOTORE ENGINE ASS.Y GROUPE MOTEUR MOTORSATZ 10,5 HP B&S 8,5 HP TECUMSEH | 005 005a |
| GRUPPO TRASMISSIONE TRANSMISSION GROUP GROUPE TRANSMISSION GETRIEBE | 006 |
| SOLLEVAMENTO PIATTO CUTTING PLATE LIFTING SOULEVEMENT PATEAU DE COUPE SCHNEIDWERKZEUG AUFHEBESATZ | 007 |
| PIATTO DI TAGLIO CUTTING PLATE PATEAU DE COUPE SCHNEIDWERKZEUG 1 2 | 008 009 |
| GRUPPO SACCO GRASSCATCHER GROUP GROUPE SAC GRASFANGEinRICHTUNG | 010 |
| GRUPPO PARTI ELETTRICHE ELECTRICAL PARTS GROUP GROUPE PARTIES ELECTRIQUES ELETRISCHETEILE | 011 |
| SCHEMA ELETTRICO WIRE DIAGRAM SCHEMA ELECTRONIQUE ELEKTRISCHES SCHEMA 10,5 HP B&S - 8,5 HP TECUMSEH | 012 |
| ACCESSORI A RICHIESTA OPTIONALS ON REQUEST ACCESSOIRES SUR DEMANDE ZUBEHOERE NACH ANFRAGE | 013 |

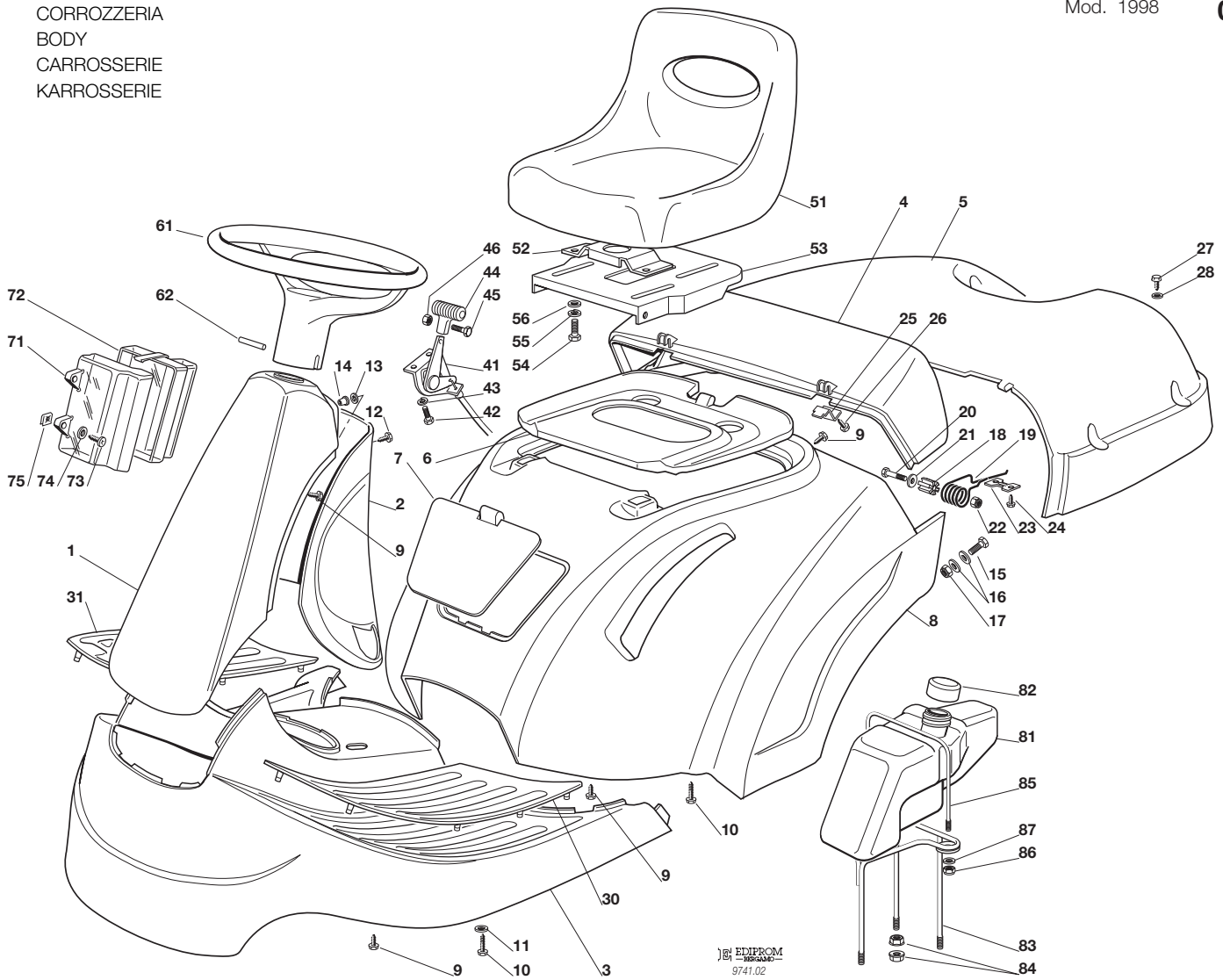
TELAIO
 CHASSIS
 CHASSIS
 RAHMENSATZ



| Pos. Nr. | Codice Kodex Code | Descrizione | Description | Description | Beschreibung | Q.tà Q.ty Q.té Menge |
|----------|-------------------|-------------------|-------------------|--------------------|-----------------|-------------------------------|
| 1 | 84801101/0 | TELAIO | CHASSIS | CHASSIS | RAHMENSATZ | 1 |
| 2 | 25034002/1 | BOCCOLA | BUSH | DOUILLE | BÜCHSE | 2 |
| 3 | 84545051/1 | PIASTRA | PLATE | PLAQUE | PLATTE | 1 |
| 4 | 27037000/0 | PERNO | PIN | PIVOT | BOLZEN | 1 |
| 5 | 25547012/1 | PIASTRA | PLATE | PLAQUE | PLATTE | 2 |
| 6 | 12791200/0 | VITE | SCREW | VIS | SCHRAUBE | 8 |
| 7 | 12792102/0 | DADO | NUT | ECROU | MUTTER | 8 |
| 8 | 84801109/0 | TELAIO SEDILE | CHASSIS | CHASSIS | RAHMENSATZ | 1 |
| 9 | 12702611/0 | VITE | SCREW | VIS | SCHRAUBE | 4 |
| 10 | 12293201/0 | DADO | NUT | ECROU | MUTTER | 4 |
| 11 | 84783001/0 | SUPPORTO PIANTONE | SUPPORT | SUPPORT | HALTER | 1 |
| 12 | 12792611/0 | VITE | SCREW | VIS | SCHRAUBE | 4 |
| 13 | 12293201/0 | DADO | NUT | ECROU | MUTTER | 4 |
| 14 | 84801107/1 | SUPPORTO PEDANE | FOTTBOARD SUPPORT | SUPPORT MARCHEPIED | FUSSBRETTHALTER | 1 |
| 15 | 27787025/0 | SUPPORT | SUPPORT | SUPPORT | HALTER | 2 |
| 16 | 12792611/0 | VITE | SCREW | VIS | SCHRAUBE | 4 |
| 17 | 12293201/0 | DADO | NUT | ECROU | MUTTER | 4 |
| 18 | 12734995/0 | VITE | SCREW | VIS | SCHRAUBE | 2 |
| 19 | 12521331/0 | RONDELLA | WASHER | RONDELLE | SCHEIBE | 2 |
| 20 | 84040300/0 | CAVO AGGANCI | CORD | CORDE | SEIL | 1 |
| 21 | 12793701/0 | VITE | SCREW | VIS | SCHRAUBE | 2 |
| 22 | 12293200/0 | DADO | NUT | ECROU | MUTTER | 2 |
| 23 | 12523060/0 | RONDELLA | WASHER | RONDELLE | SCHEIBE | 1 |
| 24 | 12155000/0 | DADO | NUT | ECROU | MUTTER | 1 |
| 25 | 12500090/0 | DADO | NUT | ECROU | MUTTER | 1 |

| Pos. Nr. | Codice Kodex Code | Descrizione | Description | Description | Beschreibung | Q.tà Q.ty Q.té Menge |
|----------|-------------------|-------------------------|-------------|-------------|--------------|-------------------------------|
| 31 | 22524970/1 | PERNO | PIN | PIVOT | BOLZEN | 2 |
| 32 | 12155010/0 | DADO | NUT | ECROU | MUTTER | 2 |
| 33 | 25430205/0 | MOLLA | SPRING | RESSORT | FEDER | 2 |
| 34 | 25943001/0 | VITE | SCREW | VIS | SCHRAUBE | 2 |
| 35 | 12521350/0 | RONDELLA | WASHER | RONDELLE | SCHEIBE | 2 |
| 36 | 12293201/0 | DADO | NUT | ECROU | MUTTER | 4 |
| 37 | 25122000/0 | CUFFIA | HOOD | PROTECTEUR | SCHUTZKASTEN | 2 |
| 38 | 27285000/0 | GUARNIZIONE CONVOGLIAT. | JOINTING | JOINT | PACKUNG | 1 |
| 39 | 27430554/0 | MOLLA | SPRING | RESSORT | FEDER | 1 |
| 40 | 12728440/0 | VITE | SCREW | VIS | SCHRAUBE | 1 |

CORROZZERIA
 BODY
 CARROSSERIE
 KARROSSERIE



EDIPROM
 9741.02

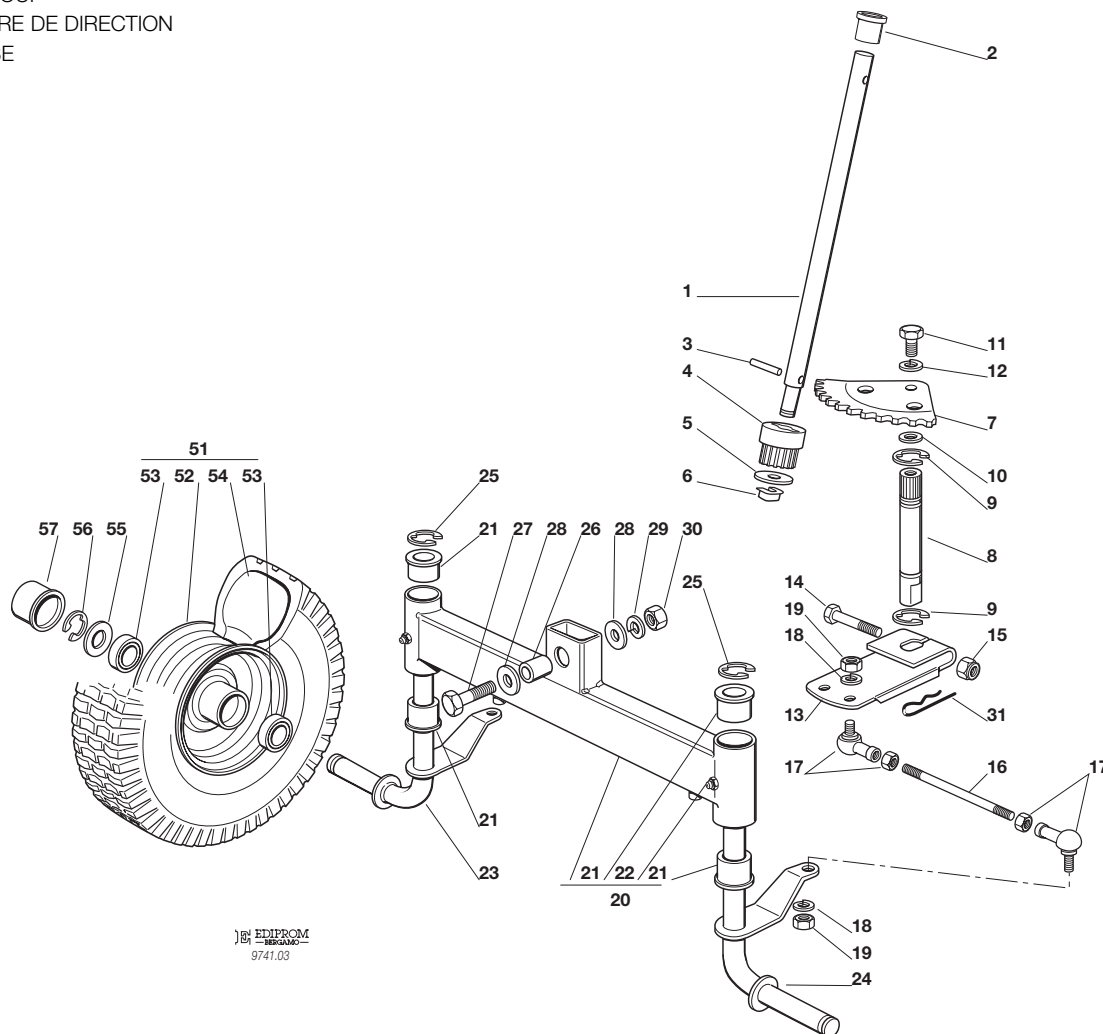
| Pos. Nr. | Codice Kodex Code | Descrizione | Description | Description | Beschreibung | Q.tà Q.ty Q.té Menge |
|----------|--|--|--|--|--|----------------------|
| 1 | 84598050/0 84598056/0 84598057/0 84598058/0 | PROTEZIONE ANTERIORE ROSSO VERDE GIALLO BLU | FRONT COVER RED GREEN YELLOW BLUE | COUVERCLE AVANT ROUGE VERT JAUNE BLEU | VORDERDECKEL ROT GRÜN GELB BLAU | 1 |
| 2 | 27600055/0 27600078/0 27600079/0 27600080/0 | PROTEZIONE POSTERIORE ROSSO VERDE GIALLO BLU | REAR COVER RED GREEN YELLOW BLUE | COUVERCLE ARRIER ROUGE VERT JAUNE BLEU | HINTERDECKEL ROT GRÜN GELB BLAU | 1 |
| 3 | 27110300/1 27110309/1 27110310/1 27110311/1 | COPERTURA PEDANA ROSSO VERDE GIALLO BLU | FOOTBOARD COVER RED GREEN YELLOW BLUE | COUVRE MARCHEPIED ROUGE VERT JAUNE BLEU | FUSSBRETTDECKEL ROT GRÜN GELB BLAU | 1 |
| 4 | 27110302/0 27110317/0 27110318/0 27110319/0 | COPERTURA SACCO FISSA ROSSO VERDE GIALLO BLU | GRASS-CATCHER COVER, FIXED RED GREEN YELLOW BLUE | COUVRE-BAC FIXE ROUGE VERT JAUNE BLEU | FESTER SACKKAPPE ROT GRÜN GELB BLAU | 1 |
| 5 | 27110303/0 27110321/0 27110322/0 27110323/0 | COPERTURA SACCO MOBILE ROSSO VERDE GIALLO BLU | GRASS-CATCHER COVER, MOBILE RED GREEN YELLOW BLUE | COUVRE-BAC MOBILE ROUGE VERT JAUNE BLEU | BEWEGLICHER SACKKAPPE ROT GRÜN GELB BLAU | 1 |

| Pos. Nr. | Codice Kodex Code | Descrizione | Description | Description | Beschreibung | Q.tà Q.ty Q.té Menge |
|----------|-------------------|----------------------|-----------------------|------------------------|------------------------|-------------------------------|
| 6 | 27110306/0 | COPERTURA MOTORE | ENGINE COVER | COUVRE MOTEUR | MOTORKAPPE | 1 |
| 7 | 27109501/0 | COPERCHIO ANTERIORE | FRONT COVER | COUVERCLE AVANT | DECKEL | 1 |
| | 27109505/0 | ROSSO | RED | ROUGE | ROT | |
| | 27109506/0 | VERDE | GREEN | VERT | GRÜN | |
| | 27109507/0 | GIALLO | YELLOW | JAUNE | GELB | |
| | | BLU | BLUE | BLEU | BLAU | |
| 8 | 84110100/0 | COPERTURA RUOTE | WHEELS COVER | COUVRE ROUES | RADENKAPPE | 1 |
| | 84110102/0 | ROSSO | RED | ROUGE | ROT | |
| | 84110103/0 | VERDE | GREEN | VERT | GRÜN | |
| | 84110104/0 | GIALLO | YELLOW | JAUNE | GELB | |
| | | BLU | BLUE | BLEU | BLAU | |
| 9 | 12735402/0 | VITE | SCREW | VIS | SCHRAUBE | 10 |
| 10 | 12735410/0 | VITE | SCREW | VIS | SCHRAUBE | 8 |
| 11 | 12523040/0 | RONDELLA | WASHER | RONDELLE | SCHEIBE | 2 |
| 12 | 12735135/0 | VITE | SCREW | VIS | SCHRAUBE | 1 |
| 13 | 12437500/0 | PIASTRINA | PLATE | PLAQUE | PLATTE | 1 |
| 14 | 12500041/0 | MADREVITE | NUT SCREW | ECROU | MUTTER | 1 |
| 15 | 12791200/0 | VITE | SCREW | VIS | SCHRAUBE | 2 |
| 16 | 12523040/0 | RONDELLA | WASHER | RONDELLE | SCHEIBE | 2 |
| 17 | 12154510/0 | DADO | NUT | ECROU | MUTTER | 2 |
| 18 | 27047003/0 | BUSSOLA | BUSH | DOUILLE | BUCHSE | 2 |
| 19 | 27430551/1 | MOLLA | SPRING | RESSORT | FEDER | 2 |
| 20 | 12691200/0 | VITE | SCREW | VIS | SCHRAUBE | 2 |
| 21 | 12523070/0 | RONDELLA | WASHER | RONDELLE | SCHEIBE | 2 |
| 22 | 12155000/0 | DADO | NUT | ECROU | MUTTER | 2 |
| 23 | 27546001/0 | PIASTRINA | PLATE | PLAQUE | PLATTE | 2 |
| 24 | 12735402/0 | VITE | SCREW | VIS | SCHRAUBE | 4 |
| 25 | 27546003/0 | PIASTRINA | PLATE | PLAQUE | PLATTE | 2 |
| 26 | 12735402/0 | VITE | SCREW | VIS | SCHRAUBE | 2 |
| 27 | 12729601/0 | VITE | SCREW | VIS | SCHRAUBE | 4 |
| 28 | 12521331/0 | RONDELLA | WASHER | RONDELLE | SCHEIBE | 4 |
| 29 | 27110304/0 | COPRIPEDANA DESTRA | RIGHT FOOTBOARD COVER | COUVRE MARCHEPIED DRO. | RECHTE FUSSBRETTDECKEL | 1 |
| 30 | 27110305/0 | COPRIPEDANA SINISTRA | LEFT FOOTBOARD COVER | COUVRE MARCHEPIED GAU. | LINKE FUSSBRETTDECKEL | 1 |
| 41 | 84000250/0 | ACCELERATORE | ACCELERATOR | ACCELERATEUR | GAS ZUG | 1 |
| 42 | 12788512/0 | VITE | SCREW | VIS | SCHRAUBE | 2 |
| 43 | 12581200/0 | GROWER | GROWER | GROWER | GROWER | 2 |
| 44 | 25394501/0 | MANOPOLINA | HANDLE | POIGNE | GRIFF | 1 |
| 45 | 12726388/0 | VITE | SCREW | VIS | SCHRAUBE | 1 |
| 46 | 12290800/0 | DADO | NUT | ECROU | MUTTER | 1 |
| 51 | 25722453/1 | SEDILE | SEAT | SIEGE | SITZ | 1 |
| 52 | 25785114/0 | SUPPORTO | SUPPORT | SUPPORT | HALTER | 1 |
| 53 | 25547033/0 | PIASTRA | PLATE | PLAQUE | PLATTE | 1 |
| 54 | 12793101/0 | VITE | SCREW | VIS | SCHRAUBE | 4 |
| 55 | 12583500/0 | GROWER | GROWER | GROWER | GROWER | 4 |
| 56 | 12523060/0 | RONDELLA | WASHER | RONDELLE | SCHEIBE | 4 |
| 61 | 25961201/0 | VOLANTE | STEERING WHEEL | VOLANT | LENKRAD | 1 |
| 62 | 12620299/0 | SPINA | PIN | GOUPILLE | STIFT | 1 |
| 71 | 25600020/0 | PROTEZIONE SUPERIORE | UPPER GUARD | PROTECTION SUPERIEUR | OBERSCHUTZ | 1 |
| 72 | 25600021/0 | PROTEZIONE INFERIORE | LOWER GUARD | PROTECTION INFERIEUR | UNTERSCHUTZ | 1 |
| 73 | 12728460/0 | VITE | SCREW | VIS | SCHRAUBE | 2 |
| 74 | 12521320/0 | ROSETTA | WASHER | RONDELLE | SCHEIBE | 2 |
| 75 | 12437502/0 | PIASTRINA | PLATE | PLAQUE | PLÄTTE | 2 |
| 81 | 27733000/1 | SERBATOIO | TANK | RESERVOIR | TANK | 1 |
| 82 | 25795000/0 | TAPPO | CAP | BOUCHON | TANKVERSCHLUSS | 1 |
| 83 | 84783005/1 | SUPPORTO | SUPPORT | SUPPORT | HALTER | 1 |
| 85 | 12293201/0 | DADO | NUT | ECROU | MUTTER | 6 |
| 86 | 27034056/0 | ASTA | ROD | TIGE | STAB | 1 |
| 87 | 12154510/0 | DADO | NUT | ECROU | MUTTER | 2 |
| 88 | 12523040/0 | ROSETTA | WASHER | RONDELLE | SCHEIBE | 2 |

GRUPPO STERZO
 STEERING GROUP
 GROUPE BARRE DE DIRECTION
 LENKGETRIEBE

Mod. 1998

003

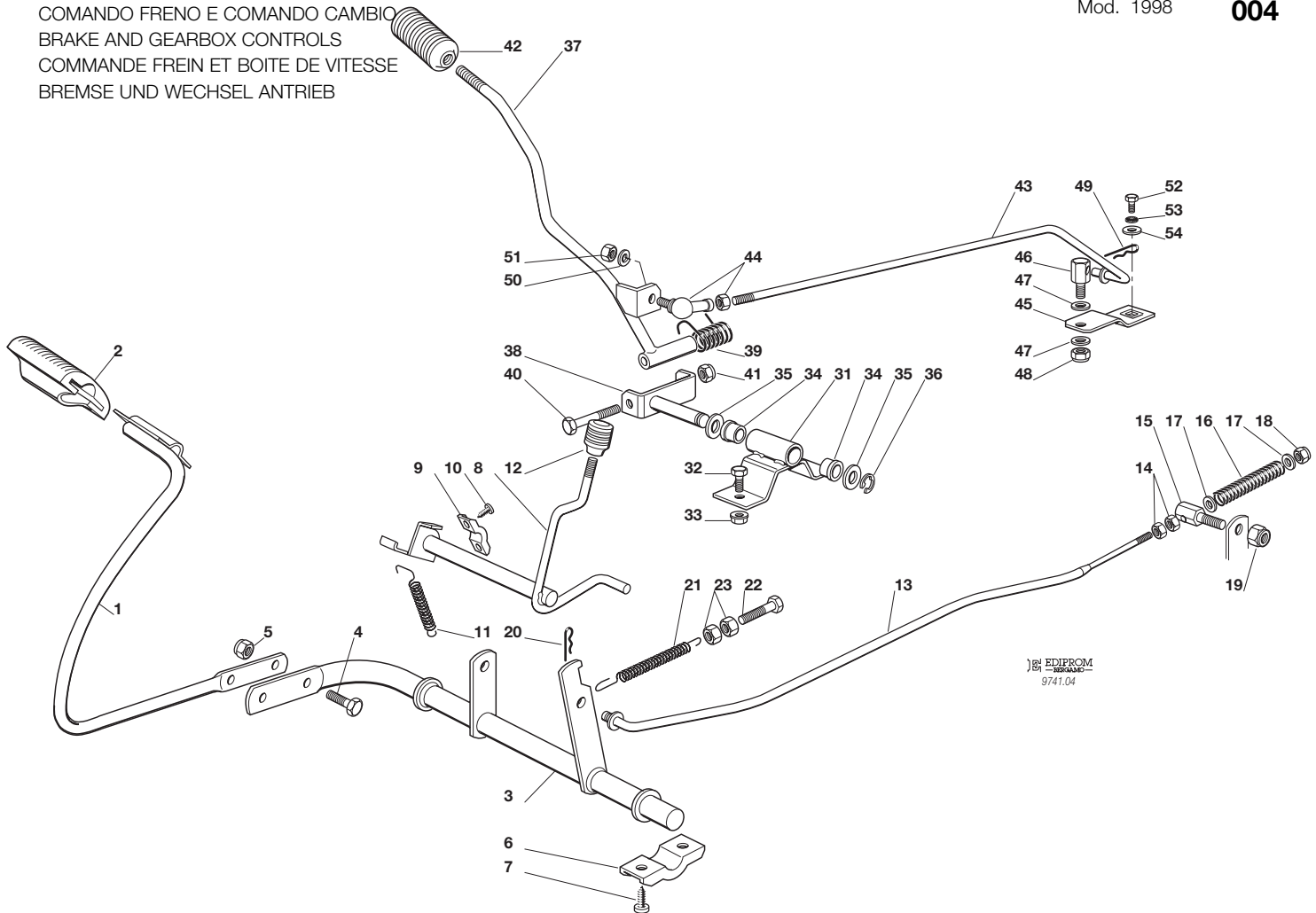


EDIPROM
 9741.03

| Pos. Nr. | Kodex Code | Descrizione | Description | Description | Beschreibung | Q.tà Q.ty Q.té Menge |
|----------|------------|--|---------------------------------------|---|---------------------------------------|-------------------------------|
| 1 | 27520050/0 | PIANTONE | STEERING COLUMN | TUBE DE DIRECTION | LENKUNGSÄEULE | 1 |
| 2 | 25038003/0 | BOCCOLA | BUSH | DOUILLE | BÜCHSE | 1 |
| 3 | 12622650/0 | SPINA | PIN | GOUILLE | STIFT | 1 |
| 4 | 27570050/0 | PIGNONE | PINION | PIGNON | RITZEL | 1 |
| 5 | 12521370/0 | RONDELLA | WASHER | RONDELLE | SCHEIBE | 1 |
| 6 | 12436030/0 | PIASTRINA | PLATE | PLAQUETTE | PLATTECHEN | 1 |
| 7 | 84735551/0 | SETTORE | STEERING SHAFT | ARBRE DIRECTION | LENKUNGSWELLE | 1 |
| 8 | 27023001/0 | ALBERO STERZO | SHAFT | ARBRE | WELLE | 1 |
| 9 | 12001000/0 | ANELLO ELASTICO | SNAP RING | ANNEAU RESSORT | SPRENGRING | 2 |
| 10 | 12520031/0 | RONDELLA | WASHER | RONDELLE | SCHEIBE | 1 |
| 11 | 12793102/0 | VITE | SCREW | VIS | SCHRAUBE | 1 |
| 12 | 12583501/0 | GROWER | GROWER | GROWER | GROWER | 1 |
| 13 | 27315053/0 | LEVA | LEVER | LEVIER | HEBEL | 1 |
| 14 | 12692420/0 | VITE | SCREW | VIS | SCHRAUBE | 1 |
| 15 | 12156602/0 | DADO | NUT | ECROU | MUTTER | 1 |
| 16 | 27840050/0 | TIRANTE COLLEG. FUSELLI | TIE ROD | TIRANT | SPANNSTANGE | 2 |
| 17 | 22746600/0 | SNODO | JOINT | JOINT | GELENK | 4 |
| 18 | 12585100/0 | GROWER | GROWER | GROWER | GROWER | 4 |
| 19 | 12295200/0 | DADO | NUT | ECROU | MUTTER | 4 |
| 20 | 84034053/0 | BILANCIERE COMPLETO DI BOCCOLA ED INGRASSATORE | EQUALIZER WITH BUSH AND LUBRICATOR | BALANCIER AVEC DOUILLE ET GRAISSEUR | KIPPEBEL MIT BÜCHSE UND FETTBÜCHSE | 1 |
| 21 | 25034002/1 | BOCCOLA | BUSH | DOUILLE | BÜCHSE | 4 |

| Pos. Nr. | Codice Kodex Code | Descrizione | Description | Description | Beschreibung | Q.tà Q.ty Q.té Menge |
|----------|-------------------|------------------|------------------|----------------|----------------------|-------------------------------|
| 22 | 12379511/0 | INGRASSATORE | GREASE DISPENSER | GRAISSEUR | FETTBÜCHSE | 2 |
| 23 | 84230401/0 | FUSELLO DESTRO | RIGHT STUB AXLE | FUSEAU DROITE | RECHTER ACHSSCHENKEL | 1 |
| 24 | 84230403/0 | FUSELLO SINISTRO | LEFT STUB AXLE | FUSEAU GAUCHE | LINKER ACHSSCHENKEL | 1 |
| 25 | 12001000/0 | ANELLO ELASTICO | SNAP RING | ANNEAU RESSORT | SPRENGRING | 2 |
| 26 | 25160016/0 | DISTANZIALE | SPACER | ENTRETOISE | ENTFERNUNGSSTÜCK | 1 |
| 27 | 12692695/0 | VITE | SCREW | VIS | SCHRAUBE | 1 |
| 28 | 12523100/0 | RONDELLA | WASHER | RONDELLE | SCHEIBE | 1 |
| 29 | 12587100/0 | GROWER | GROWER | GROWER | GROWER | 1 |
| 30 | 12295300/0 | DADO | NUT | ECROU | MUTTER | 1 |
| 31 | 24487999/0 | COPPIGLIA | COTTER PIN | GOUPILLE | SPLIT | 1 |
| 51 | 84680052/0 | RUOTA ANTERIORE | FRONT WHEEL | ROUE AVANT | VORDERRAD | 2 |
| 52 | 84044000/0 | CERCHIO RUOTA | RIMM | BANDAGE ROUE | VORDERRAD FELGER | 1 |
| 53 | 25122200/1 | CUSCINETTO | BEARING | ROULEMENT | LAGER | 2 |
| 54 | 27590050/0 | PNEUMATICO | SHOE | PNEU | REIFEN | 1 |
| 55 | 25670005/1 | RONDELLA | WASHER | RONDELLE | SCHEIBE | 2 |
| 56 | 12001000/0 | ANELLO ELASTICO | SNAP RING | ANNEAU RESSORT | SPRENGRING | 2 |
| 57 | 22110230/0 | COPRIMOZZO | HUB COVER | COUVRE MOYEU | NABEDECKEL | 2 |

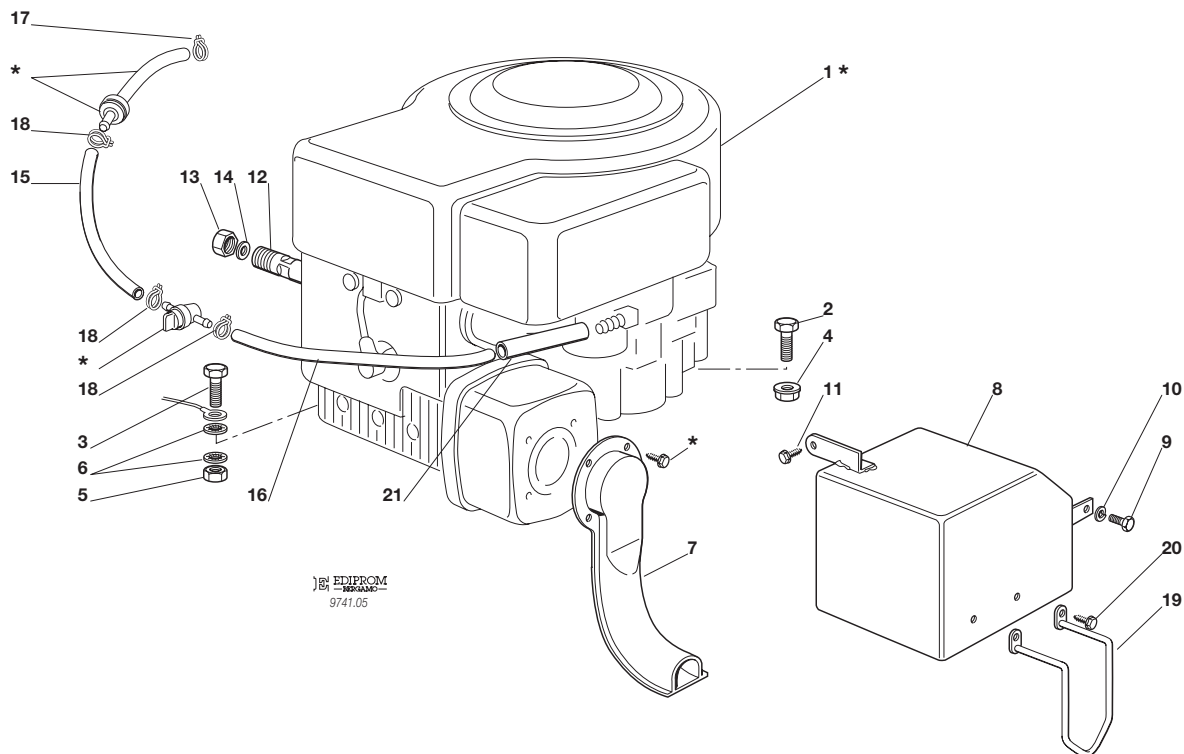
COMANDO FRENO E COMANDO CAMBIO
 BRAKE AND GEARBOX CONTROLS
 COMMANDE FREIN ET BOITE DE VITESSE
 BREMSE UND WECHSEL ANTRIEB



| Pos. Nr. | Codice Kodex Code | Descrizione | Description | Description | Beschreibung | Q.tà Q.ty Q.té Menge |
|----------|-------------------|----------------------|-------------|---------------|--------------|-------------------------------|
| 1 | 84503001/0 | PEDALE | PEDAL | PEDAL | PEDAL | 1 |
| 2 | 25110269/0 | COPRISTAFFA | CLAMP COVER | COUVRE ETRIER | BRIDEDECKEL | 1 |
| 3 | 84001009/0 | ASSE FRENO | AXLE | AXE | ACHSE | 1 |
| 4 | 12793301/0 | VITE | SCREW | VIS | SCHRAUBE | 2 |
| 5 | 12155000/0 | DADO | NUT | ECROU | MUTTER | 2 |
| 6 | 27546015/0 | PIASTRINA | PLATE | PLAQUE | PLATTE | 2 |
| 7 | 12731350/0 | VITE | SCREW | VIS | SCHRAUBE | 4 |
| 8 | 84001011/0 | ASSE FRENO STAZIONAM | AXLE | AXE | ACHSE | 1 |
| 9 | 25547049/0 | PIASTRINA | PLATE | PLAQUE | PLATTE | 2 |
| 10 | 12731601/0 | VITE | SCREW | VIS | SCHRAUBE | 4 |
| 11 | 27430552/0 | MOLLA | SPRING | RESSORT | FEDER | 1 |
| 12 | 27395050/0 | MANOPOLA | KNOB | POIGNEE | KNOPF | 1 |
| 13 | 27034055/0 | ASTA | ROD | BARRE | STANGE | 1 |
| 14 | 12292100/0 | DADO | NUT | ECROU | MUTTER | 2 |
| 15 | 27510095/0 | PERNO | PIN | PIVOT | BOLZEN | 1 |
| 16 | 25430212/1 | MOLLA | SPRING | RESSORT | FEDER | 1 |
| 17 | 12521330/0 | ROSETTA | WASHER | RONDELLE | SCHEIBE | 2 |
| 18 | 12154510/0 | DADO | NUT | ECROU | MUTTER | 1 |
| 19 | 12155000/0 | DADO | NUT | ECROU | MUTTER | 1 |
| 20 | 24487997/0 | COPPIGLIA | COTTER PIN | GOUPILLE | SPLIT | 1 |
| 21 | 25430220/0 | MOLLA | SPRING | RESSORT | FEDER | 1 |
| 22 | 22943005/0 | VITE | SCREW | VIS | SCHRAUBE | 1 |
| 23 | 12293200/0 | DADO | NUT | ECROU | MUTTER | 2 |
| 31 | 84773551/0 | STAFFA | CLAMP | ETRIER | BRIDE | 1 |

| Pos. Nr. | Codice Kodex Code | Descrizione | Description | Description | Beschreibung | Q.tà Q.ty Q.té Menge |
|----------|-------------------|-------------|-------------|-------------|--------------|-------------------------------|
| 32 | 12793102/0 | VITE | SCREW | VIS | SCHRAUBE | 1 |
| 33 | 12293201/0 | DADO | NUT | ECROU | MUTTER | 1 |
| 34 | 27047002/0 | BUSSOLA | BUSHING | DOUILLE | LAGER | 2 |
| 35 | 12521370/0 | RONDELLA | WASHER | RONDELLE | SCHEIBE | 2 |
| 36 | 12608600/0 | SEEGER | SEEGER | SEEGER | SEEGER | 1 |
| 37 | 84317051/0 | LEVA | GEARSHIFT | LEVIER | HEBEL | 1 |
| 38 | 84773553/0 | STAFFA | CLAMP | ETRIER | BRIDE | 1 |
| 39 | 25430226/0 | MOLLA | SPRING | RESSORT | FEDER | 1 |
| 40 | 12692050/0 | VITE | SCREW | VIS | SCHRAUBE | 1 |
| 41 | 12155000/0 | DADO | NUT | ECROU | MUTTER | 1 |
| 42 | 82394503/0 | MANOPOLA | KNOB | POIGNEE | WECHSEL | 1 |
| 43 | 27034052/0 | ASTA | ROD | BARRE | STANGE | 1 |
| 44 | 22746601/0 | SNODO | JOINT | JOINT | GELENK | 2 |
| 45 | 27315077/0 | LEVA | GEARSHIFT | LEVIER | HEBEL | 1 |
| 46 | 25510040/0 | PERNO | PIN | PIVOT | BÖLZEN | 1 |
| 47 | 25670011/0 | RONDELLA | WASHER | RONDELLE | SCHEIBE | 2 |
| 48 | 12155000/0 | DADO | NUT | ECROU | MUTTER | 1 |
| 49 | 24487997/0 | COPPIGLIA | COTTER PIN | GOUPILLE | SPLIT | 1 |
| 50 | 12583500/0 | GROWER | GROWER | GROWER | GROWER | 1 |
| 51 | 12293200/0 | DADO | NUT | ECROU | MUTTER | 1 |
| 52 | 12735520/0 | VITE | SCREW | VIS | SCHRAUBE | 1 |
| 53 | 12540040/0 | RONDELLA | WASHER | RONDELLE | SCHEIBE | 1 |
| 54 | 22680009/0 | RONDELLA | WASHER | RONDELLE | SCHEIBE | 1 |

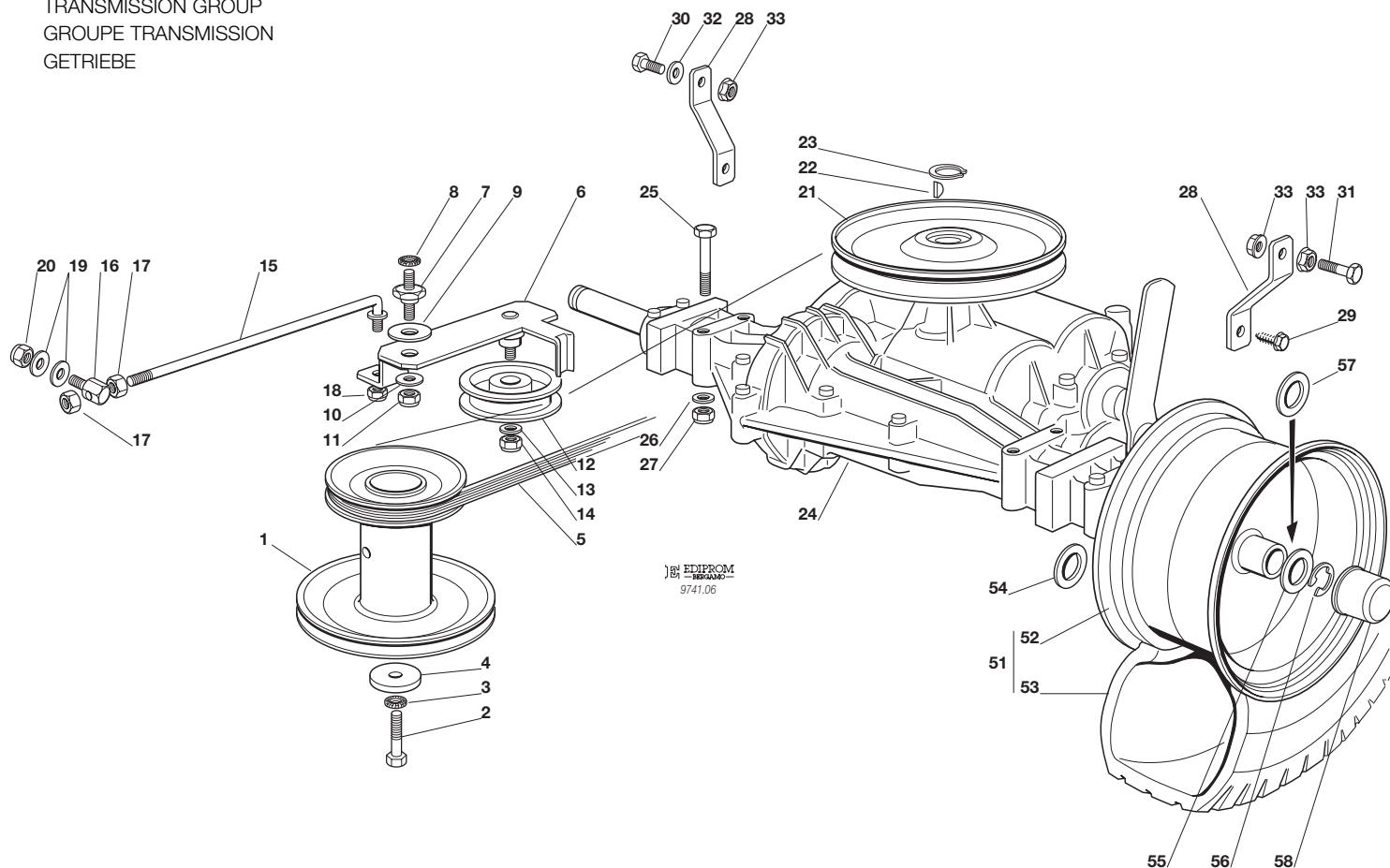
GRUPPO MOTORE 10,5 HP B&S
 ENGINE ASS.Y 10,5 HP B&S
 GROUPE MOTEUR 10,5 HP B&S
 MOTORSATZ 10,5 HP B&S



| Pos. Nr. | Codice Kodex Code | Descrizione | Description | Description | Beschreibung | Q.tà Q.ty Q.té Menge |
|----------|-------------------|-------------------------|-------------------------|-----------------------------------|----------------------------------|-------------------------------|
| 1* | - | MOTORE | ENGINE | MOTEUR | MOTOR | 1 |
| 2 | 12793701/0 | VITE | SCREW | VIS | SCHRAUBE | 3 |
| 3 | 12691100/0 | VITE | SCREW | VIS | SCHRAUBE | 1 |
| 4 | 12293201/0 | DADO | NUT | ECROU | MUTTER | 3 |
| 5 | 12293200/0 | DADO | NUT | ECROU | MUTTER | 1 |
| 6 | 12540260/0 | RONDELLA | WASHER | RONDELLE | SCHEIBE | 2 |
| 7 | 84640550/0 | RACCORDO SCARICO | EXHAUST CONNECTION | CONNEXION ECHAPPEMENT | AUSPUFFANSCHLUSS | 1 |
| 8 | 82598001/0 | PROTEZIONE SILENZIATORE | MUFFLER PROTECTION | PROTECTION SILENCIEUX | AUSPUFFSCHUTZ | 1 |
| 9 | 12735510/0 | VITE | SCREW | VIS | SCHRAUBE | 1 |
| 10 | 12582100/0 | GROWER | GROWER | GROWER | GROWER | 1 |
| 11 | 12735104/0 | VITE | SCREW | VIS | SCHRAUBE | 1 |
| 12 | 27598060/0 | PROLUNGA SCARICO OLIO | OIL DISCHARGE EXTENSION | RALLONGE DE DECHAR- MENT HUILE | ÖL ENTLEERUNGSVERLAEN- GERUNG | 1 |
| 13 | 18737849/0 | TAPPO PER PROLUNGA | OIL CAP | BOUCHON HUILE | OELVERSCHLUSS | 1 |
| 14 | 18401001/0 | GUARNIZIONE | OIL SEAL | GARNITURE | DICHTUNG | 1 |
| 15 | 25869004/0 | TUBO FILTRO | TUBE | TUBE | ROHR | 1 |
| 16 | 25869011/0 | TUBO SERBATOIO | TUBE | TUBE | ROHR | 1 |
| 17 | 18375052/0 | FASCETTA | FAIR LED | FIXATION DE CABLE | KABELBEFESTIGUNG | 1 |
| 18 | 18375051/1 | FASCETTA | FAIR LED | FIXATION DE CABLE | KABELBEFESTIGUNG | 3 |
| 19 | 27600059/0 | PROTEZIONE SCARICO | EXHAUST PROTECTION | PROTECTION ECHAPPEMENT | AUSPUFFSCHUTZ | 1 |
| 20 | 12735510/0 | VITE | SCREW | VIS | SCHRAUBE | 2 |
| 21 | 18565400/0 | PROTEZIONE TUBO | TUBE PROTECTION | PROTECTION TUBE | ROHRSCHUTZ | 1 |

PER LA SOSTITUZIONE DELLE PARTI CONTRASSEGNAE CON «*» RIVOLGERSI AL SERVIZIO ASSISTENZA DEL COSTRUTTORE DEL MOTORE.
 TO REPLACE THE PARTS MARKED «*» SEEK ASSISTANCE FROM THE ENGINE MANUFACTURER'S AFTER SALES SERVICE.
 POUR LE REMPLACEMENT DES PIÈCES MARQUÉES AVEC «*» S'ADRESSER AU SERVICE APRÈS VENTES DU CONSTRUCTEUR DU MOTEUR.
 ZUM AUSTAUSCH DER MIT «*» GEKENNZEICHNETEN TEILE, WENDEN SIE SICH AN DEN KUNDENDIENST DES HERSTELLERS DES MOTOR.

GRUPPO TRASMISSIONE
 TRANSMISSION GROUP
 GROUPE TRANSMISSION
 GETRIEBE



| Pos. Nr. | Codice Kodex Code | Descrizione | Description | Description | Beschreibung | Q.tà Q.ty Q.té Menge |
|----------|-------------------|-----------------|-------------|----------------|----------------|-------------------------------|
| 1 | 27604003/0 | PULEGGIA | PULLEY | POULIE | RIEMENSCHLEIBE | 1 |
| 2 | 12737310/0 | VITE | SCREW | VIS | SCHRAUBE | 1 |
| 3 | 12543000/0 | ROSETTA | WASHER | RONDELLE | SCHEIBE | 1 |
| 4 | 22671433/0 | RONDELLA | WASHER | RONDELLE | SCHEIBE | 1 |
| 5 | 35061400/0 | CINGHIA | BELT | COURROIE | RIEMEN | 1 |
| 6 | 84317055/0 | LEVA | LEVER | LEVIER | HEBEL | 1 |
| 7 | 27510096/0 | PERNO | PIN | PIVOT | BOLZEN | 1 |
| 8 | 12540260/0 | RONDELLA | WASHER | RONDELLE | SCHEIBE | 1 |
| 9 | 22672151/0 | RONDELLA | WASHER | RONDELLE | SCHEIBE | 1 |
| 10 | 25670011/0 | RONDELLA | WASHER | RONDELLE | SCHEIBE | 1 |
| 11 | 12155010/0 | DADO | NUT | ECROU | MUTTER | 1 |
| 12 | 25601554/0 | PULEGGIA | PULLEY | POULIE | RIEMENSCHLEIBE | 1 |
| 13 | 12523060/0 | RONDELLA | WASHER | RONDELLE | SCHEIBE | 1 |
| 14 | 12155000/0 | DADO | NUT | ECROU | MUTTER | 2 |
| 15 | 27034054/0 | TIRANTE | TIE ROD | TIRANT | SPANNSTANGE | 1 |
| 16 | 25510040/0 | PERNO | PIN | PIVOT | BOLZEN | 1 |
| 17 | 12293200/0 | DADO | NUT | ECROU | MUTTER | 2 |
| 18 | 12155000/0 | DADO | NUT | ECROU | MUTTER | 1 |
| 19 | 25670011/0 | RONDELLA | WASHER | RONDELLE | SCHEIBE | 2 |
| 20 | 12155000/0 | DADO | NUT | ECROU | MUTTER | 2 |
| 21 | 82601503/0 | PULEGGIA | PULLEY | POULIE | RIEMENSCHLEIBE | 1 |
| 22 | 12139430/0 | LINGUETTA | KEY | CLAVETTE | KEIL | 1 |
| 23 | 12608950/0 | ANELLO ELASTICO | SNAP RING | ANNEAU RESSORT | SPRENGRING | 1 |
| 24* | 18400915/0 | ASSE POSTERIORE | REAR AXLE | AXE ARRIERE | HINTERACHSE | 1 |
| 25 | 12691800/0 | VITE | SCREW | VIS | SCHRAUBE | 4 |
| 26 | 12521350/0 | RONDELLA | WASHER | RONDELLE | SCHEIBE | 4 |

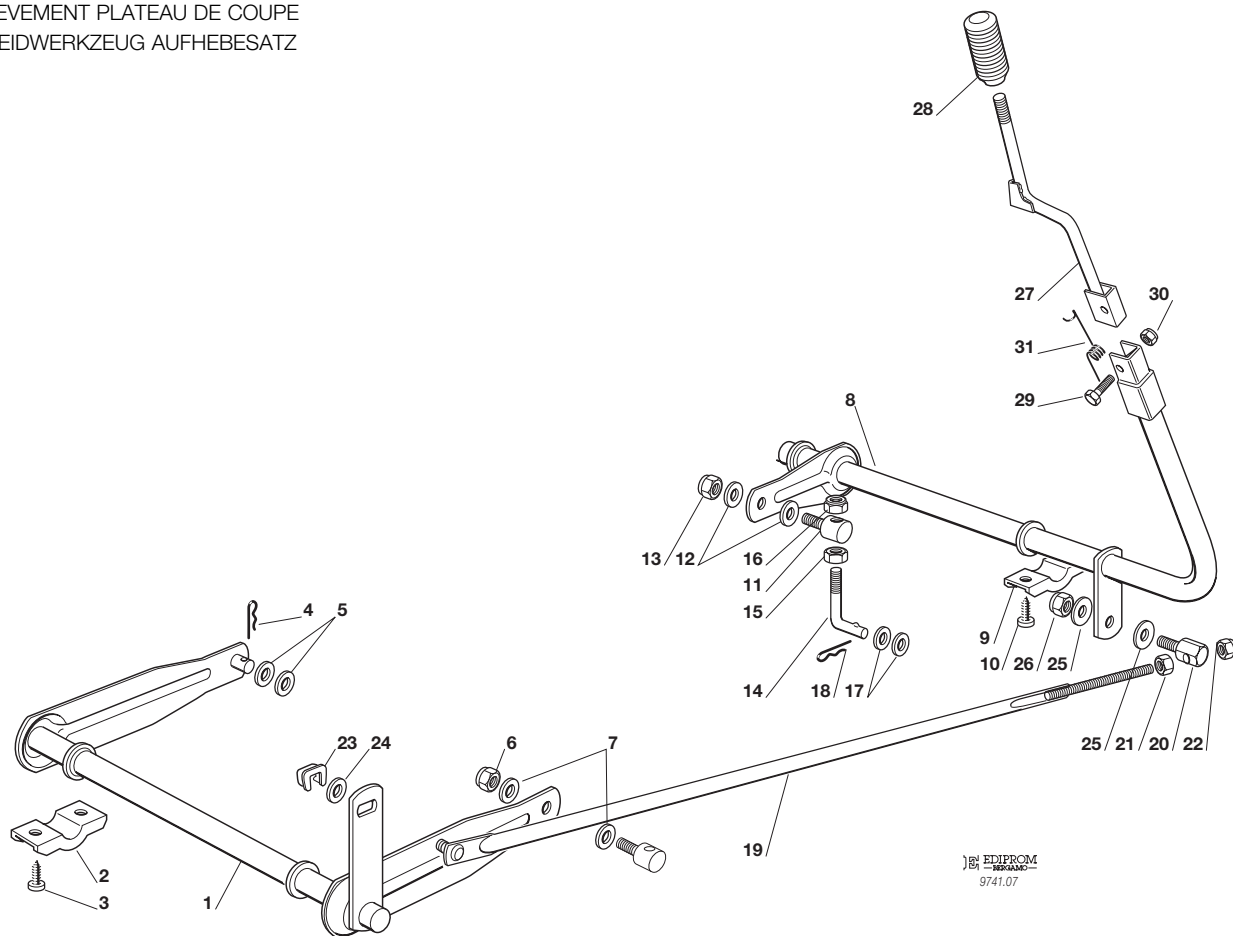
| Pos. Nr. | Codice Kodex Code | Descrizione | Description | Description | Beschreibung | Q.tà Q.ty Q.té Menge |
|----------|-------------------|------------------|-------------|----------------|------------------|-------------------------------|
| 27 | 12155000/0 | DADO | NUT | ECROU | MUTTER | 4 |
| 28 | 27772067/0 | STAFFA | CLAMP | ETRIER | BRIDE | 2 |
| 29 | 12735150/0 | VITE | SCREW | VIS | SCHRAUBE | 2 |
| 30 | 12793102/0 | VITE | SCREW | VIS | SCHRAUBE | 1 |
| 31 | 12691100/0 | VITE | SCREW | VIS | SCHRAUBE | 1 |
| 32 | 12523060/0 | RONDELLA | WASHER | RONDELLE | SCHEIBE | 1 |
| 33 | 12293201/0 | DADO | NUT | ECROU | MUTTER | 3 |
| | | | | | | |
| 51 | 84680050/0 | RUOTA POSTERIORE | REAR WHEEL | ROUE ARRIERE | HINTERRAD | 1 |
| 52 | 84044001/0 | CERCHIO RUOTA | RIMM | BANDAGE ROUE | HINTERRAD FELGER | 1 |
| 53 | 27590051/0 | PNEUMATICO | SHOE | PNEU | REIFEN | 1 |
| 54 | 12521410/0 | RONDELLA | WASHER | RONDELLE | SCHEIBE | 2 |
| 55 | 25670005/1 | RONDELLA | WASHER | RONDELLE | SCHEIBE | 2 |
| 56 | 12001010/0 | ANELLO ELASTICO | SNAP RING | ANNEAU RESSORT | SPRENGRING | 2 |
| 57 | 12520010/0 | ROSETTA | WASHER | RONDELLE | SCHEIBE | 0 ÷ 4 |
| 58 | 22110230/0 | COPRIMOZZO | HUB COVER | COUVRE MOYEU | NABEDECKEL | 2 |

PER LA SOSTITUZIONE DELLE PARTI CONTRASSEGNALE CON «*» RIVOLGERSI AL SERVIZIO ASSISTENZA DEL COSTRUTTORE (TECUMSEH).
 TO REPLACE THE PARTS MARKED «*» SEEK ASSISTANCE FROM MANUFACTURER'S AFTER SALES SERVICE (TECUMSEH).
 POUR LE REMPLACEMENT DES PIÈCES MARQUÉES AVEC «*» S'ADRESSER AU SERVICE APRÈS VENTES DU CONSTRUCTEUR (TECUMSEH).
 ZUM AUSTAUSCH DER MIT «*» GEKENNZEICHNETEN TEILE, WENDEN SIE SICH AN DEN KUNDENDIENST DES HERSTELLERS (TECUMSEH).

SOLLEVAMENTO PIATTO
 CUTTING PLATE LIFTING
 SOULEVEMENT PLATEAU DE COUPE
 SCHNEIDWERKZEUG AUFHEBESATZ

Mod. 1998

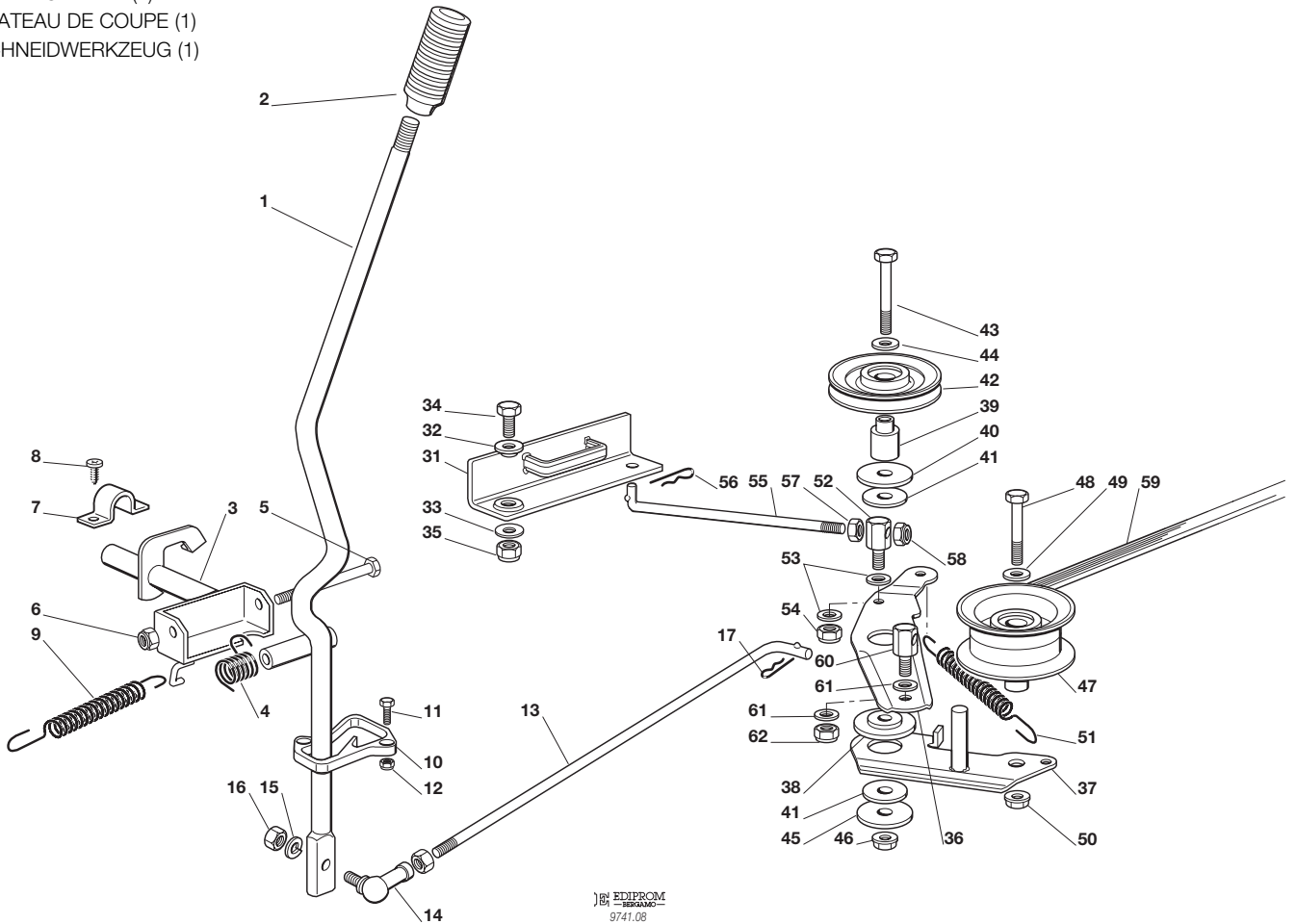
007



| Pos. Nr. | Codice Kodex Code | Descrizione | Description | Description | Beschreibung | Q.tà Q.ty Q.té Menge |
|----------|-------------------|--------------------|-------------|-------------|--------------|-------------------------------|
| 1 | 84001003/0 | ASSE FULCRO PIATTO | AXLE | AXE | ACHSE | 1 |
| 2 | 27546015/0 | PIASTRINA | PLATE | PLAQUE | PLATTE | 2 |
| 3 | 12731350/0 | VITE | SCREW | VIS | SCHRAUBE | 4 |
| 4 | 24487997/0 | COPPIGLIA | COTTER PIN | GOUPILLE | SPLIT | 1 |
| 5 | 25670008/0 | RONDELLA | WASHER | RONDELLE | SCHEIBE | 2 |
| 6 | 12156602/0 | DADO | NUT | ECROU | MUTTER | 1 |
| 7 | 25670008/0 | RONDELLA | WASHER | RONDELLE | SCHEIBE | 2 |
| 8 | 84001005/1 | ASSE FULCRO PIATTO | AXLE | AXE | ACHSE | 1 |
| 9 | 27546015/0 | PIASTRINA | PLATE | PLAQUE | PLATTE | 2 |
| 10 | 12731350/0 | VITE | SCREW | VIS | SCHRAUBE | 4 |
| 11 | 25510007/1 | PERNO | PIN | PIVOT | BOLZEN | 1 |
| 12 | 25670008/0 | RONDELLA | WASHER | RONDELLE | SCHEIBE | 2 |
| 13 | 12156602/0 | DADO | NUT | ECROU | MUTTER | 1 |
| 14 | 25840003/0 | TIRANTE | TIE ROD | TIRANT | SPANNSTANGE | 1 |
| 15 | 12295200/0 | DADO | NUT | ECROU | MUTTER | 1 |
| 16 | 12156602/0 | DADO | NUT | ECROU | MUTTER | 1 |
| 17 | 25670008/0 | RONDELLA | WASHER | RONDELLE | SCHEIBE | 2 |
| 18 | 24487997/0 | COPPIGLIA | COTTER PIN | GOUPILLE | SPLIT | 1 |
| 19 | 84002051/0 | ASTA COLLEGAMENTO | ROD | TIGE | STAB | 1 |
| 20 | 25510040/0 | PERNO | PIN | PIVOT | BOLZEN | 1 |
| 21 | 12293200/0 | DADO | NUT | ECROU | MUTTER | 1 |
| 22 | 12155000/0 | DADO | NUT | ECROU | MUTTER | 1 |
| 23 | 12436050/0 | PIASTRINA | PLATE | PLAQUE | PLATTE | 1 |
| 24 | 25670011/0 | RONDELLA | WASHER | RONDELLE | SCHEIBE | 1 |
| 25 | 25670011/0 | RONDELLA | WASHER | RONDELLE | SCHEIBE | 2 |
| 26 | 12155000/0 | DADO | NUT | ECROU | MUTTER | 1 |

| Pos. Nr. | Codice Kodex Code | Descrizione | Description | Description | Beschreibung | Q.tà Q.ty Q.té Menge |
|----------|-------------------|-------------------|-------------|-------------|--------------|-------------------------------|
| 27 | 84317053/0 | LEVA SOLLEVAMENTO | LEVER | LEVIER | HEBEL | 1 |
| 28 | 27395052/0 | MANOPOLA | KNOB | POIGNEE | GRIFF | 1 |
| 29 | 12674700/0 | VITE | SCREW | VIS | SCHRAUBE | 1 |
| 30 | 12154510/0 | DADO | NUT | ECROU | MUTTER | 1 |
| 31 | 27430555/0 | MOLLA | SPRING | RESSORT | FEDER | 1 |

PIATTO DI TAGLIO (1)
 CUTTING PLATE (1)
 PLATEAU DE COUPE (1)
 SCHNEIDWERKZEUG (1)

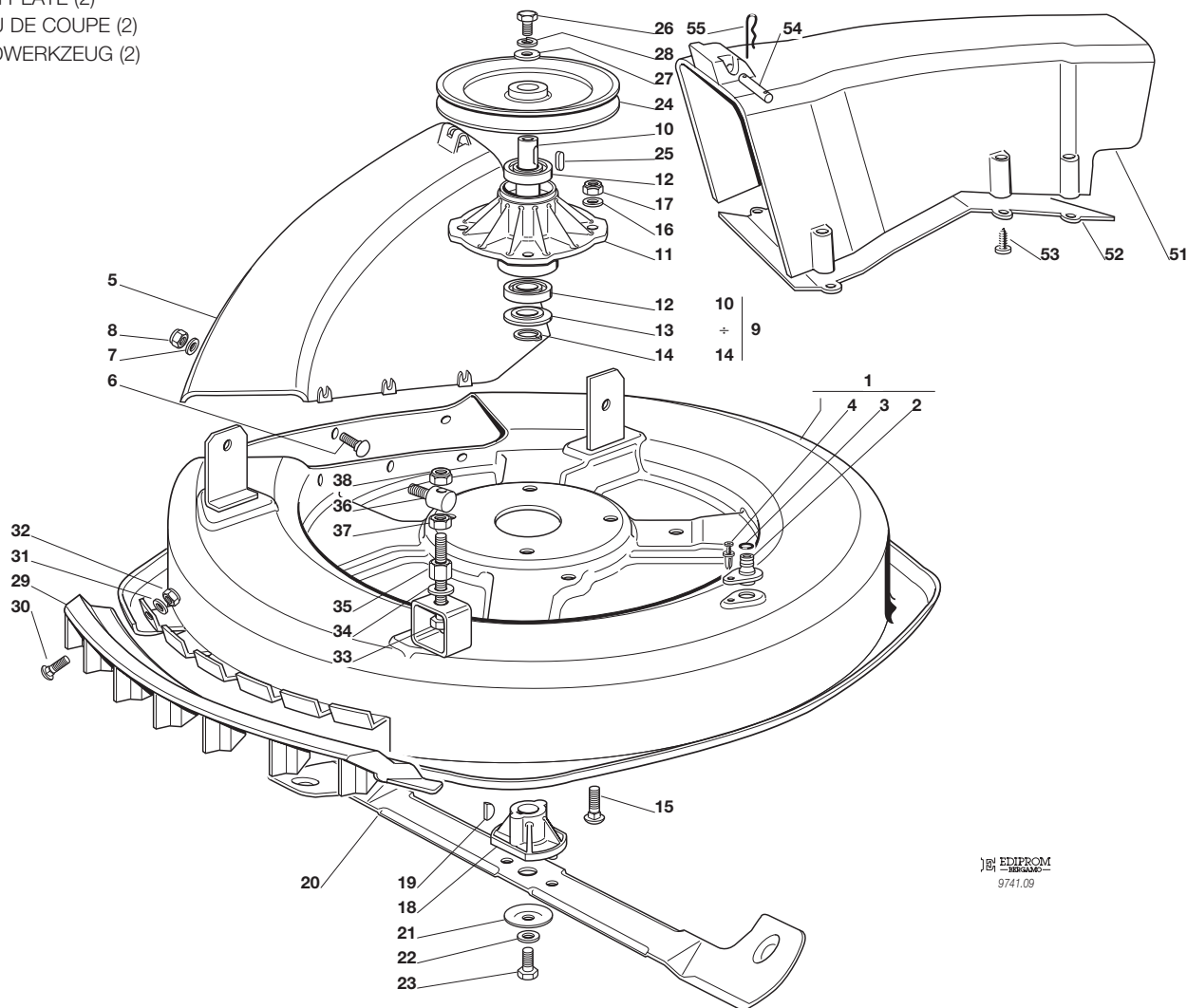


EDIPROM
 9741.08

| Pos. Nr. | Codice Kodex Code | Descrizione | Description | Description | Beschreibung | Q.tà Q.ty Q.té Menge |
|----------|-------------------|-------------------|-------------|--------------------|--------------|-------------------------------|
| 1 | 84317059/0 | LEVA | LEVER | LEVIER | HEBEL | 1 |
| 2 | 27395051/0 | MANOPIOLA | KNOB | POIGNEE | GRIF | 1 |
| 3 | 84001007/0 | ASSE INNESTO LAMA | AXLE | AXE | ACHSE | 1 |
| 4 | 25430226/0 | MOLLA | SPRING | RESSORT | FEDER | 1 |
| 5 | 12692050/0 | VITE | SCREW | VIS | SCHRAUBE | 1 |
| 6 | 12155000/0 | DADO | NUT | ECROU | MUTTER | 1 |
| 7 | 25547049/0 | PIASTRINA | PLATE | PLAQUE | PLATTE | 2 |
| 8 | 12731601/0 | VITE | SCREW | VIS | SCHRAUBE | 4 |
| 9 | 25430220/0 | MOLLA | SPRING | RESSORT | FEDER | 1 |
| 10 | 27487000/0 | PATTINO | SHOE | BLOC DE GLISSEMENT | GLEITBLOCK | 1 |
| 11 | 12791200/0 | VITE | SCREW | VIS | SCHRAUBE | 2 |
| 12 | 12154510/0 | DADO | NUT | ECROU | MUTTER | 2 |
| 13 | 27034053/0 | ASTA | ROD | TIGE | STAB | 1 |
| 14 | 22746601/0 | SNODO | JOINT | JOINT | GELENK | 1 |
| 15 | 12583500/0 | GROWER | GROWER | GROWER | GROWER | 1 |
| 16 | 12293200/0 | DADO | NUT | ECROU | MUTTER | 1 |
| 17 | 24487997/0 | COPPIGLIA | COTTER PIN | GOUPILLE | SPLIT | 1 |
| 31 | 84220501/0 | FRENO LAMA | BRAKE | FREIN | BREMSE | 1 |
| 32 | 22041980/0 | BUSSOLA | BUSH | DOUILLE | BÜCHSE | 1 |
| 33 | 22672152/0 | RONDELLA | WASHER | RONDELLE | SCHEIBE | 1 |
| 34 | 12793102/0 | VITE | SCREW | VIS | SCHRAUBE | 1 |
| 35 | 12155010/0 | DADO | NUT | ECROU | MUTTER | 1 |
| 36 | 27315059/0 | LEVA | LEVER | LEVIER | HEBEL | 1 |
| 37 | 84317061/0 | LEVA | LEVER | LEVIER | HEBEL | 1 |

| Pos. Nr. | Codice Kodex Code | Descrizione | Description | Description | Beschreibung | Q.tà Q.ty Q.té Menge |
|-------------|-------------------------|-------------|-------------|-------------|------------------|-------------------------------|
| 38 | 27047000/0 | BUSSOLA | BUSH | DOUILLE | BÜCHSE | 1 |
| 39 | 27160051/0 | DISTANZIALE | SPACER | ENTRETOISE | ENTFERNUNGSSTÜCK | 1 |
| 40 | 12523070/0 | RONDELLA | WASHER | RONDELLE | SCHEIBE | 1 |
| 41 | 22672152/0 | RONDELLA | WASHER | RONDELLE | SCHEIBE | 2 |
| 42 | 81000772/1 | PULEGGIA | PULLEY | POULIE | RIEMENSCHLEIBE | 1 |
| 43 | 12692080/0 | VITE | SCREW | VIS | SCHRAUBE | 1 |
| 44 | 12523060/0 | ROSETTA | WASHER | RONDELLE | SCHEIBE | 1 |
| 45 | 12523070/0 | RONDELLA | WASHER | RONDELLE | SCHEIBE | 1 |
| 46 | 12155000/0 | DADO | NUT | ECROU | MUTTER | 1 |
| 47 | 27604002/0 | PULEGGIA | PULLEY | POULIE | RIEMENSCHLEIBE | 1 |
| 48 | 12691900/0 | VITE | SCREW | VIS | SCHRAUBE | 1 |
| 49 | 12523060/0 | ROSETTA | WASHER | RONDELLE | SCHEIBE | 1 |
| 50 | 12293201/0 | DADO | NUT | ECROU | MUTTER | 1 |
| 51 | 25430210/0 | MOLLA | SPRING | RESSORT | FEDER | 1 |
| 52 | 25510040/0 | PERNO | PIN | PIVOT | BOLZEN | 1 |
| 53 | 25670011/0 | RONDELLA | WASHER | RONDELLE | SCHEIBE | 2 |
| 54 | 12155000/0 | DADO | NUT | ECROU | MUTTER | 1 |
| 55 | 27034051/0 | ASTA | ROD | TIGE | STAB | 1 |
| 56 | 24487997/0 | COPPIGLIA | COTTER PIN | GOUPILLE | SPLIT | 1 |
| 57 | 12293200/0 | DADO | NUT | ECROU | MUTTER | 1 |
| 58 | 12155000/0 | DADO | NUT | ECROU | MUTTER | 1 |
| 59 | 35061424/0 | CINGHIA | BELT | COURROIE | RIEMEN | 1 |
| 60 | 25510040/0 | PERNO | PIN | PIVOT | BOLZEN | 1 |
| 61 | 25670011/0 | RONDELLA | WASHER | RONDELLE | SCHEIBE | 2 |
| 62 | 12155000/0 | DADO | NUT | ECROU | MUTTER | 1 |

PIATTO DI TAGLIO (2)
 CUTTING PLATE (2)
 PLATEAU DE COUPE (2)
 SCHNEIDWERKZEUG (2)



EDIPROM
 9741.09

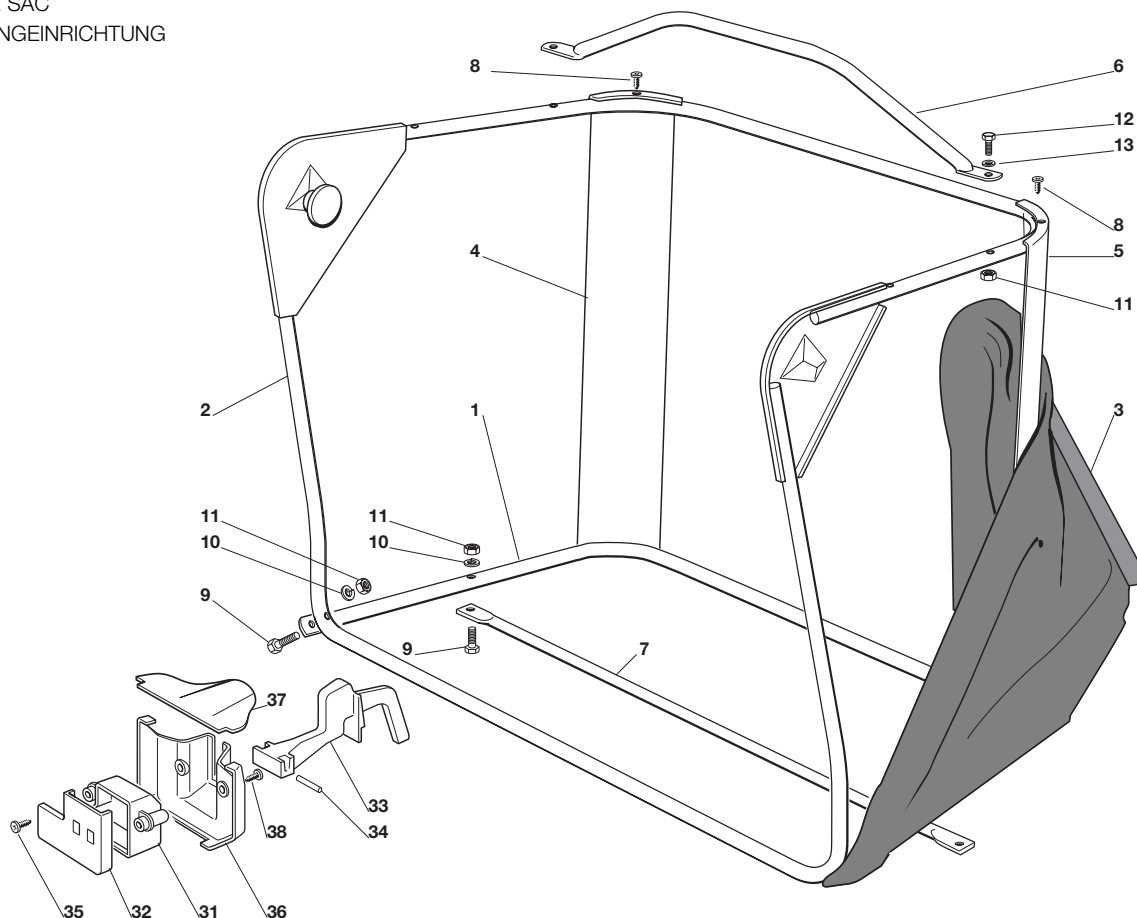
| Pos. Nr. | Kodex Code | Descrizione | Description | Description | Beschreibung | Q.tà Q.ty Q.té Menge |
|----------|------------|-------------------------|-------------------------|-----------------------|---------------------------|-------------------------------|
| 1 | 84564092/0 | PIATTO | PLATE | PLATEAU | SCHNEID | 1 |
| 2 | 25033060/0 | ATTACCO | WATER HOSE CONNECTION | RACCORD TUYAU D'EAU | WASSERANSCHLUSS | 1 |
| 3 | 19035000/0 | ANELLO OR | O RING | RACCORD TUYAU D'EAU | O RING | 1 |
| 4 | 12500030/0 | RIVETTO | RIVET | RIVET | NIET | 1 |
| 5 | 27045000/0 | BOCCA CONVOGLIATORE | CONVEYOR INLET | BOUCHE CONVOYEUR | BLECHSATZEINGANG | 1 |
| 6 | 12815210/0 | VITE | SCREW | VIS | SCHRAUBE | 6 |
| 7 | 12523040/0 | ROSETTA | WASHER | RONDELLE | SCHEIBE | 6 |
| 8 | 12154510/0 | DADO | NUT | ECROU | MUTTER | 6 |
| 9 | 84207250/0 | ASS. FLANGIA (10÷14) | FLANGE ASS.Y (10÷14) | ENS. BRIDE (10÷14) | NABE, KOMPLETT (10÷14) | 1 |
| 10 | 27023000/0 | ALBERO | SHAFT | ARBRE | WELLE | 1 |
| 11 | 27208402/0 | FLANGIA | FLANGE | BRIDE | FLANSCH | 1 |
| 12 | 19216032/0 | CUSCINETTO | BEARING | ROULEMENT | KUEGELLAGER | 2 |
| 13 | 25160501/0 | DISCO PARAPOLVERE | DUST COVER | PROTEGE-POUSSIÈRE | STAUBSCHUTTSCHIEBE | 1 |
| 14 | 12609260/0 | SEEGER | SEEGER | SEEGER | SEEGER | 1 |
| 15 | 12818700/0 | VITE | SCREW | VIS | SCHRAUBE | 4 |
| 16 | 12521350/0 | RONDELLA | WASHER | RONDELLE | SCHEIBE | 4 |
| 17 | 12155000/0 | DADO | NUT | ECROU | MUTTER | 4 |
| 18 | 25463200/0 | MOZZO COLTELLO | BLADE HUB | MOYEU LAME | MESSERHALTER | 1 |
| 19 | 12139100/0 | LINGUETTA | KEY | CLAVETTE | KEIL | 1 |
| 20 | 84109500/0 | COLTELLO | BLADE | LAME | MESSER | 1 |
| 21 | 22160400/0 | DISCO PARAPOLVERE | DUST COVER | PROTEGE-POUSSIÈRE | STAUBSCHUTTSCHIEBE | 1 |
| 22 | 12523080/0 | RONDELLA | WASHER | RONDELLE | SCHEIBE | 1 |

| Pos. Nr. | Codice Kodex Code | Descrizione | Description | Description | Beschreibung | Q.tà Q.ty Q.té Menge |
|----------|-------------------|--|---|--|---|-------------------------------|
| 23 | 12735694/0 | VITE | SCREW | VIS | SCHRAUBE | 1 |
| 24 | 27604000/0 | PULEGGIA | PULLEY | POULIE | RIEMENSCHLEIBE | 1 |
| 25 | 12139480/0 | CHIAVETTA | KEY | CLAVETTE | KEIL | 1 |
| 26 | 12793102/0 | VITE | SCREW | VIS | SCHRAUBE | 1 |
| 27 | 25670007/0 | RONDELLA | WASHER | RONDELLE | SCHEIBE | 1 |
| 28 | 12583500/0 | GROWER | GROWER | GROWER | GROWER | 1 |
| 29 | 27488000/0 | GRIGLIA ASPIRAZIONE | AIR INTAKE GRILL | GRILLE D'ASPIRATION | ANSAUGGITTER | 1 |
| 30 | 12815200/0 | VITE | SCREW | VIS | SCHRAUBE | 4 |
| 31 | 12523040/0 | ROSETTA | WASHER | RONDELLE | SCHEIBE | 4 |
| 32 | 12154510/0 | DADO | NUT | ECROU | MUTTER | 4 |
| 33 | 12794970/0 | VITE | SCREW | VIS | SCHRAUBE | 1 |
| 34 | 12523080/0 | ROSETTA | WASHER | RONDELLE | SCHEIBE | 1 |
| 35 | 12154250/0 | DADO | NUT | ECROU | MUTTER | 1 |
| 36 | 25510007/0 | PERNO | PIN | PIVOT | BOLZEN | 1 |
| 37 | 12295200/0 | DADO | NUT | ECROU | MUTTER | 1 |
| 38 | 12156602/0 | DADO | NUT | ECROU | MUTTER | 1 |
| — | 84564090/0 | PIATTO DI TAGLIO ASSEMBLATO (008, 31÷62 + 009, 1÷38) | CUTTING PLATE, ASSEMBLED (008, 31÷62 + 009, 1÷38) | PLATEAU DE COUPE,S COMPLETE (008, 31÷62 + 009, 1÷38) | CHNEIDWERKZEUG, KOMPLETT (008, 31÷62 + 009, 1÷38) | |
| 51 | 27107500/0 | CONVOGLIATORE | CONVEYOR | CONVOYEUR | BLECHSATZ | 1 |
| 52 | 27140051/0 | DEFLETTORE | DEFLECTOR | DEFLECTEUR | ABWEISER | 1 |
| 53 | 12735402/0 | VITE | SCREW | VIS | SCHRAUBE | 6 |
| 54 | 27510097/1 | PERNO | PIN | PIVOT | BOLZEN | 1 |
| 55 | 24487997/0 | COPPIGLIA | COTTER PIN | GOUPILLE | SPLIT | 2 |

GRUPPO SACCO
 GRASSCATCHER GROUP
 GROUPE SAC
 GRASFANGEINRICHTUNG

Mod. 1998

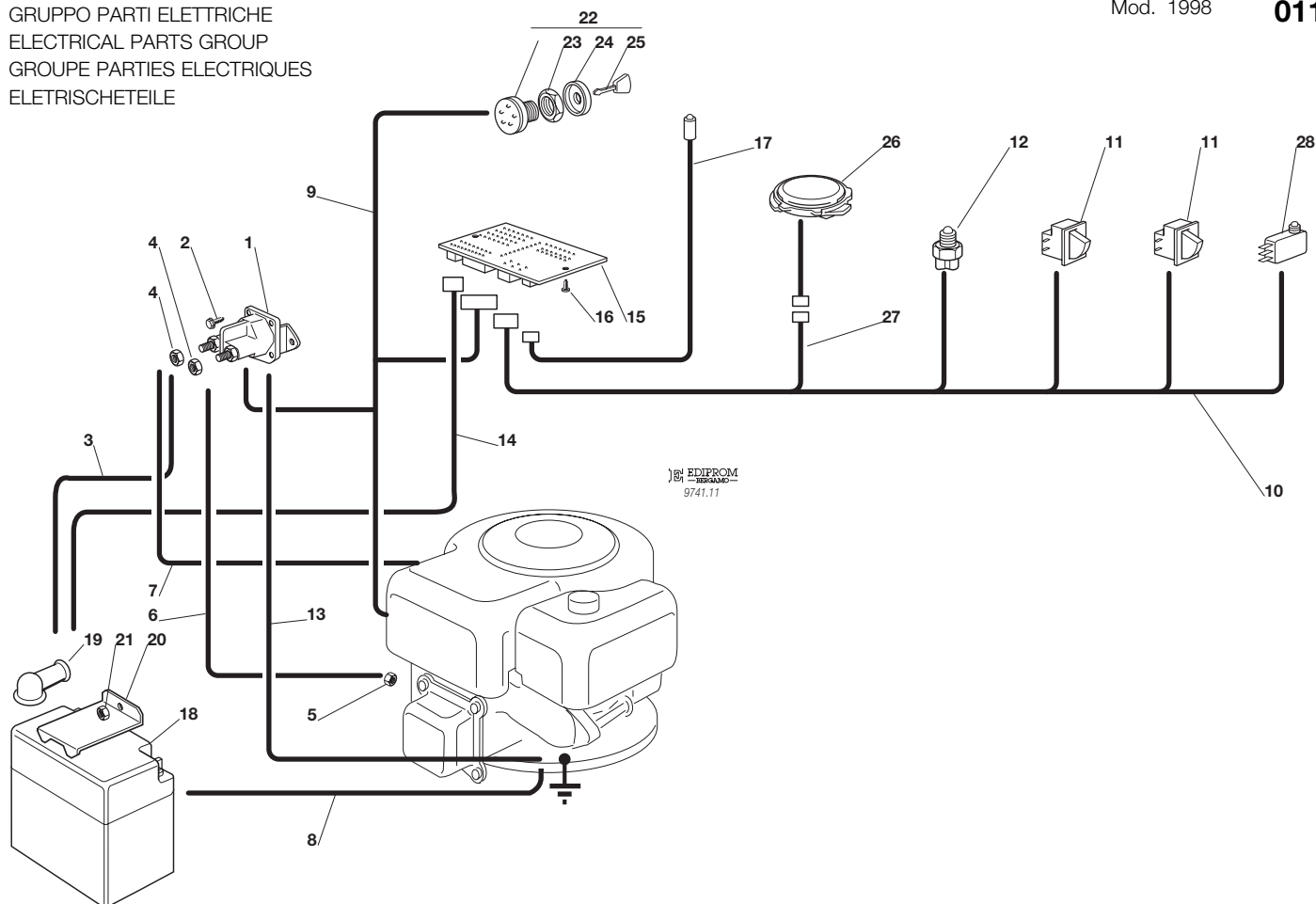
010



EDIPROM
 9741.10

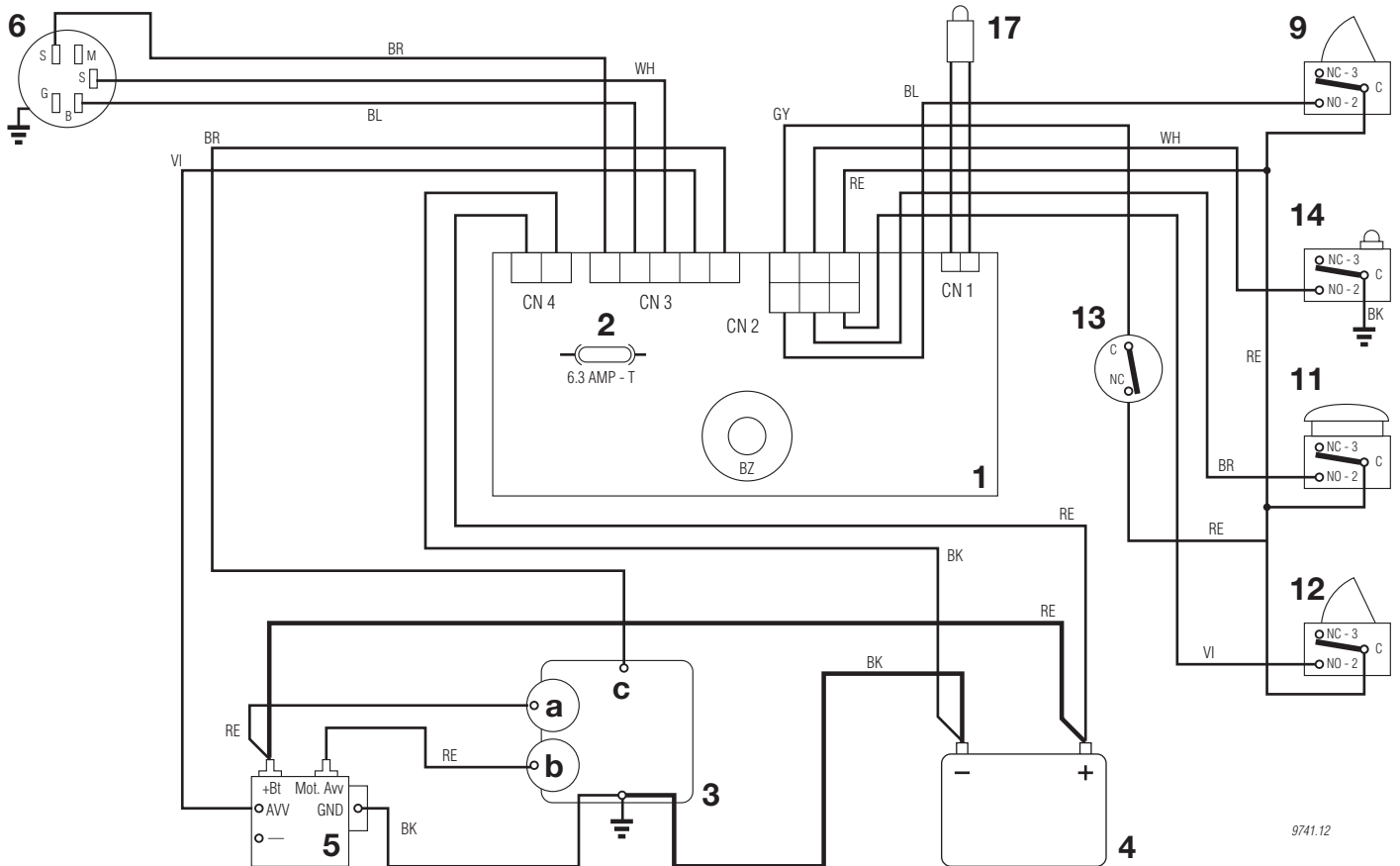
| Pos. Nr. | Codice Kodex Code | Descrizione | Description | Description | Beschreibung | Q.tà Q.ty Q.té Menge |
|----------|-------------------|----------------------|-----------------------|--------------------------|----------------|-------------------------------|
| 1 | 84801103/0 | TELAIO INFERIORE | LOWER FRAME | CHASSIS INFÉRIEUR | UNTERERRAHMEN | 1 |
| 2 | 84801105/0 | TELAIO SUPERIORE | UPPER FRAME | CHASSIS SUPÉRIEUR | OBERERRAHMEN | 1 |
| 3 | 84106050/0 | CONFEZIONE SACCO | GRASSCATCHER | BAC | SACK | 1 |
| 4 | 27010205/0 | ANGOLARE DESTRO | RIGHT ANGULAR SUPPORT | SUPPORT ANGULAIRE DROITE | RECHTER HALTER | 1 |
| 5 | 27010207/0 | ANGOLARE SINISTRO | LEFT ANGULAR SUPPORT | SUPPORT ANGULAIRE GAUCHE | LINKER HALTER | 1 |
| 6 | 84869051/0 | TUBO | ROD | TIGE | STANGE | 1 |
| 7 | 84650100/0 | RINFORZO | STIFFENING | RENFORCEMENT | VERSTAERKUNG | 1 |
| 8 | 12729601/0 | VITE | SCREW | VIS | SCHRAUBE | 4 |
| 9 | 12792099/0 | VITE | SCREW | VIS | SCHRAUBE | 2 |
| 10 | 12582101/0 | GROWER | GROWER | GROWER | GROWER | 4 |
| 11 | 12292100/0 | DADO | NUT | ECROU | MUTTER | 4 |
| 12 | 12674701/0 | VITE | SCREW | VIS | SCHRAUBE | 2 |
| 13 | 12521331/0 | RONDELLA | WASHER | RONDELLE | SCHEIBE | 2 |
| 31 | 25600022/0 | PROTEZIONE MICRO | MICRO PROTECTION | PROTECTION MICRO | SCHUTZ | 1 |
| 32 | 25600023/0 | COPERCHIO PROTEZIONE | PROTECTION COVER | COUVERCLE PROTECTION | SCHUTZDEKEL | 1 |
| 33 | 25318124/0 | LEVA | LEVER | LEVIER | HEBEL | 1 |
| 34 | 12400030/0 | PERNO | PIN | PIVOT | BOLZEN | 1 |
| 35 | 12728510/0 | VITE | SCREW | VIS | SCHRAUBE | 3 |
| 36 | 27600058/0 | DEFLETTORE | DEFLECTOR | DEFLECTEUR | ABWEISER | 1 |
| 37 | 27109500/0 | CHIUSURA DEFLETTORE | DEFLECTOR COVER | COUVERCLE DEFLECTEUR | ABWEISERDEKEL | 1 |
| 38 | 12728510/0 | VITE | SCREW | VIS | SCHRAUBE | 4 |

GRUPPO PARTI ELETTRICHE
 ELECTRICAL PARTS GROUP
 GROUPE PARTIES ELECTRIQUES
 ELETRISCHETEILE



EDIPROM
 9741.11

| Pos. Nr. | Codice Kodex Code | Descrizione | Description | Description | Beschreibung | Q.tà Q.ty Q.té Menge |
|----------|-------------------|-------------------------|----------------------------------|------------------------|----------------------|-------------------------------|
| 1 | 18736110/0 | SOLENOIDE | SOLENOID | SOLENOIDE | SOLENOID | 1 |
| 2 | 12735110/0 | VITE | SCREW | VIS | SCHRAUBE | 2 |
| 3 | 27065050/0 | CAVO BATT. SOLENOIDE | CABLE | CABLES | KABEL | 1 |
| 4 | 12360352/0 | DADO | NUT | ECROU | MUTTER | 2 |
| 5 | 12361005/0 | DADO | NUT | ECROU | MUTTER | 1 |
| 6 | 25065001/0 | CABLAGGIO SOLEN. AVV. | CABLES ASS.Y | ENS. CABLAGES | KABELSATZ | 1 |
| 7 | 27065051/0 | CAVO RICARICA | CABLE | CABLES | KABEL | 1 |
| 8 | 25065004/0 | CAVO MASSA BATTERIA | CABLE | CABLES | KABEL | 1 |
| 9 | 84040100/0 | CABLAGGIO AVV. | CABLES ASS.Y | ENS. CABLAGES | KABELSATZ | 1 |
| 10 | 84040101/0 | CABLAGGIO MICRO | CABLES ASS.Y | ENS. CABLAGES | KABELSATZ | 1 |
| 11 | 19410606/0 | MICRO INTERRUPTORE | MICRO | MICRO | MIKRO | 2 |
| 12 | 19410608/0 | INTERRUTTORE CAMBIO | GEARBOX SWITCH | INT. BOÎTE DE VITESSE | ANTRIEB SCHALTER | 1 |
| 13 | 25065018/0 | CAVO MASSA SOLENOIDE | CABLE | CABLES | KABEL | 1 |
| 14 | 27065052/0 | CAVO ALIM. SCHEDA | CABLE | CABLES | KABEL | 1 |
| 15 | 25722410/0 | SCHEDA ELETTRONICA | ELECTRONIC CARD | CARTE ELECTRONIQUE | ELEKTRONISCHE KARTE | 1 |
| 16 | 12735101/0 | VITE | SCREW | VIS | SCHRAUBE | 2 |
| 17 | 25065014/1 | CAVO LED SEGNALE | CABLE | CABLES | KABEL | 1 |
| 18 | 18120002/1 | BATTERIA | BATTERY | BATTERIE | BATTERIE | 1 |
| 19 | 18564861/0 | CAPPUCCIO | PROTECTION | CAPUCHON | STECKER | 1 |
| 20 | 27772099/0 | STAFFA | CLAMP | ETRIER | BRIDE | 1 |
| 21 | 12155000/0 | DADO | NUT | ECROU | MUTTER | 1 |
| 22 | 18450065/1 | INTERRUTTORE AVVIAMENTO | STARTING SWITCH | INTERRUPTEUR DEMARRAGE | SCHALTER | 1 |
| 23 | 18400861/0 | GHIERA | SCREWED RING | EMBOUT | NUTMUTTER | 1 |
| 24 | 18565351/0 | PROTEZIONE GHIERA | SCREWED RING PROTECTION | PROTECTION EMBOUT | NUTMUTTER SCHUTZ | 1 |
| 25 | 18210016/0 | CHIAVE AVVIAMENTO | STARTING KEY | CLEF A DEMARRAGE | SCHLÜSSEL FÜR START | 1 |
| 26 | 19410607/0 | MICRO SEDILE | MICRO | MICRO | MIKRO | 1 |
| 27 | 25065020/0 | CAVO MICRO SEDILE | CABLE | CABLES | KABEL | 1 |
| 28 | 19410605/1 | MICRO SACCO PIENO | FULL GRASSCATCHER MICROSWITCH | MICRO BAC PLEIN | VOLLKORB VORRICHTUNG | 1 |



9741.12

| | | | | |
|-----------|-------------------------------|--------------------------------|-----------------------------------|--------------------------------------|
| 1 | SCHEDA CON BUZZER | ELECTRONIC CARD WITH BUZZER | CARTE ELECTRONIQUE AVEC BUZZER | ELECTRONISCHE KARTE MIT BUZZER |
| 2 | FUSIBILE 6,3 Amp. T | FUSE 6.3 Amp. T | FUSIBLE 6,3 Amp. T | SICHERUNG 6,3 Amp. T |
| 3 | MOTORE | ENGINE | MOTEUR | MOTOR |
| 3a | Generatore | Generator | Genérateur | Generator |
| 3b | Motorino avviamento | Starter | Demarreur | Anlasser |
| 3c | Stop motore | Engine stop | Calage du moteur | Motor abstellung |
| 4 | BATTERIA | BATTERY | BATTERIE | BATTERIE |
| 5 | RELE AVVIAMENTO | STARTER RELAY | RELAIS DE DEMARRAGE | ANLASSER RELAIS |
| 6 | INTERRUTTORE A CHIAVE | ELECTROLOCK | INTERRUPTEUR D'ALLUMAGE | SCHLÜSSELSCHALTER |
| 9 | MICROINTERRUTTORE LAME | BLADES MICRO SWITCH | MICRO INTERRUPTEUR LAMES | MESSER MIKROSCHALTER |
| 11 | MICROINTERRUTTORE SEDILE | SEAT MICRO SWITCH | MICRO INTERRUPTEUR SIEGE | SITZMIKROSCHALTER |
| 12 | MICROINTERRUTTORE SACCO | GRASSCATCHER MICRO SWITCH | MICRO INTERRUPTEUR BAC | GRASFANGEINRICHTUNG MIKROSCHALTER |
| 13 | MICROINTERRUTTORE CAMBIO | GERARBOX MICROSWITCH | MICRO INT. BOÎTE DE VITESSE | ANTRIEB MICROSCHALTER |
| 14 | MICROINTERRUTTORE SACCO PIENO | FULL GRASSCATCHER MICRO SWITCH | MICRO BAC PLEIN | VOLLKORB VORRICHTUNG |

COLORI CAVI

| | |
|-----------|--------------|
| BK | NERO |
| BL | BLU |
| BR | MARRONE |
| GY | GRIGIO |
| RE | ROSSO |
| VI | VIOLA |
| YG | GIALLA/VERDE |
| WH | BIANCO |

CABLE COLOURS

| |
|---------------------|
| BLACK |
| BLUE |
| BROWN |
| GREY |
| RED |
| VIOLET |
| YELLOW/GREEN |
| WHITE |

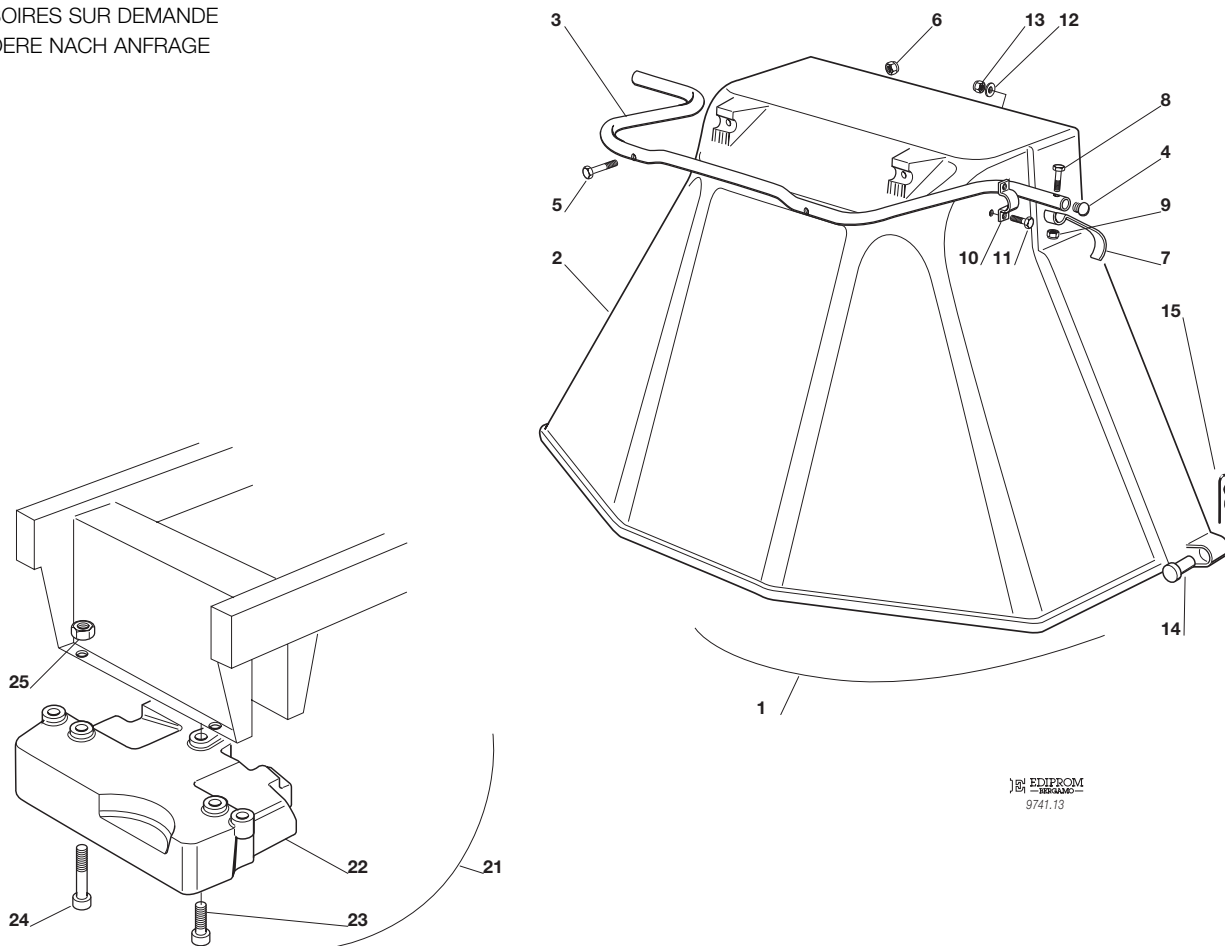
COULEUR CABLES

| |
|-------------------|
| NOIR |
| BLEU |
| BUN |
| GRIS |
| ROUGE |
| VIOLEY |
| JAUNE/VERT |
| BLANC |

KABEL FARBEN

| |
|------------------|
| SCHWARZ |
| BLAU |
| BRAUN |
| GRAU |
| ROT |
| VIOLETT |
| GELB/GRÜN |
| WEISS |

ACCESSORI A RICHIESTA
 OPTIONALS ON REQUEST
 ACCESSOIRES SUR DEMANDE
 ZUBEHOERE NACH ANFRAGE



| Pos. Nr. | Codice Kodex Code | Descrizione | Description | Description | Beschreibung | Q.tà Q.ty Q.té Menge |
|----------|-------------------|----------------------------|----------------------|-----------------------|-------------------------------|-------------------------------|
| 1 | 99900090/0 | ASS. KIT PROTEZIONE USCITA | EJECTION-GUARD ASS.Y | KIT PROTECTION SORTIE | VORRICHTUNG FÜR AUSWURESCHUTZ | 1 |
| 2 | 84598062/0 | PROTEZIONE USCITA | EJECTION GUARD | PROTECTION SORTIE | AUSWURFSCHUTZ | 1 |
| 3 | 27869053/0 | TUBO DI AGGANCIO | SUPPORT | SOPPORT | HALTER | 1 |
| 4 | 18566113/0 | PUNTALE | CAP | BOUCHON | PFROPFEN | 2 |
| 5 | 12674701/0 | VITE | SCREW | VIS | SCHRAUBE | 2 |
| 6 | 12154510/0 | DADO | NUT | ECROU | MUTTER | 2 |
| 7 | 25547053/0 | PIASTRINA | PLATE | PLAQUETTE | PLÄTTCHEN | 1 |
| 8 | 12791500/0 | VITE | SCREW | VIS | SCHRAUBE | 1 |
| 9 | 12154510/0 | DADO | NUT | ECROU | MUTTER | 1 |
| 10 | 27547049/0 | PIASTRINA | PLATE | PLAQUETTE | PLÄTTCHEN | 2 |
| 11 | 12789008/0 | VITE | SCREW | VIS | SCHRAUBE | 4 |
| 12 | 12523020/0 | ROSETTA | WASHER | RONDELLE | SCHEIBE | 4 |
| 13 | 12154320/0 | DADO | NUT | ECROU | MUTTER | 4 |
| 14 | 25510022/0 | PERNO | PIN | PIVOT | BOLZEN | 2 |
| 15 | 24487998/0 | COPPIGLIA | COTTER PIN | GOUPILLE | SPLIT | 2 |
| 21 | 99900030/4 | ASS. KIT PESO ANT. | FRONT WEIGHT KIT | KIT POIDS ANTERIEUR | VORDERGEWICHT VORRICHTUNG | 1 |
| 22 | 25519999/2 | PESO | WEIGHT | POIDS | GEWICHT | 1 |
| 23 | 12760510/0 | VITE | SCREW | VIS | SCHRAUBE | 1 |
| 24 | 12760530/0 | VITE | SCREW | VIS | SCHRAUBE | 2 |
| 25 | 12155000/0 | DADO | NUT | ECROU | MUTTER | 3 |