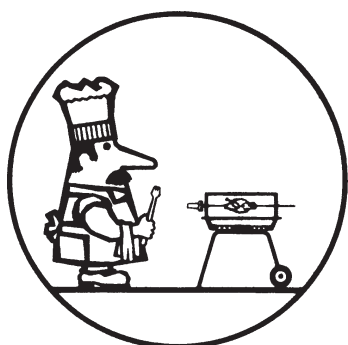


SANDORIGARDEN

ILLUSTRATED PARTS LIST

SG 26 GBS

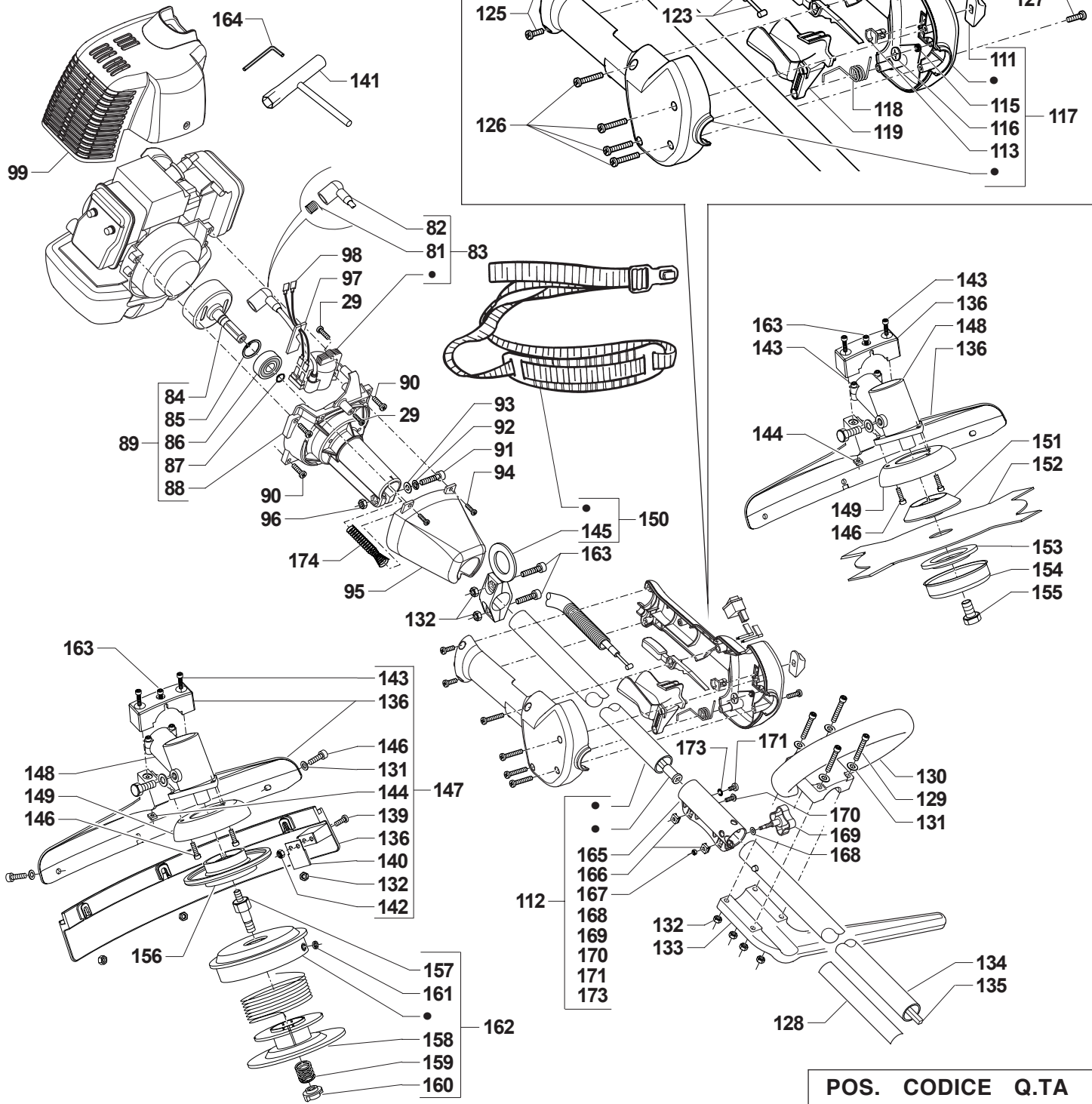


SG 26 GBS

serie 01



6065030/118



| POS. | CODICE | Q.TA | POS. | CODICE | Q.TA | POS. | CODICE | Q.TA |
|------|---------|------|------|-------------------|------|------|---------|------|
| 111 | 2020450 | 1 | 127 | 1020810 | 1 | 144 | 1026410 | 2 |
| 112 | 2065050 | 1 | 128 | 6021370 | 1 | 145 | 2026320 | 1 |
| 113 | 2020440 | 1 | 129 | 1020950 | 4 | 146 | 1026420 | 6 |
| 115 | 2020460 | 1 | 130 | 2020480 | 1 | 147 | 2044270 | -- |
| 116 | 140040 | 1 | 131 | 152120 | 7 | 148 | 2021110 | 1 |
| 117 | 2021360 | -- | 132 | 140300 | 9 | 149 | 4021160 | 1 |
| 118 | 2020470 | 1 | 133 | 2020490 | 1 | 150 | 2021300 | 1 |
| 119 | 2020420 | 1 | 134 | 2065070 | 1 | 151 | 2021250 | 1 |
| 120 | 2020430 | 1 | 135 | 2065080 | 1 | 152 | 2021240 | 1 |
| 121 | 2020840 | 1 | 136 | Rosso/Red RAL3000 | | 153 | 2021260 | 1 |
| 122 | 2020850 | 2 | 139 | 1021100 | 2 | 154 | 2021270 | 1 |
| 123 | 2020750 | 1 | 140 | 2021180 | 1 | 155 | 1021280 | 1 |
| 124 | 2020780 | 1 | 141 | 2020940 | 1 | 156 | 4021190 | 1 |
| 125 | 1020820 | 2 | 142 | 146400 | 2 | 157 | 2026260 | 1 |
| 126 | 1020830 | 4 | 143 | 1026400 | 4 | 158 | 2026270 | 1 |

| POS. | CODICE | Q.TA |
|------|---------|------|
| 159 | 2026280 | 1 |
| 160 | 2026290 | 1 |
| 161 | 2026300 | 2 |
| 162 | 2026310 | 1 |
| 163 | 175250 | 3 |
| 164 | 650680 | 1 |
| 165 | 2065090 | 1 |
| 166 | 2065130 | 2 |
| 167 | 146400 | 1 |
| 168 | 152120 | 1 |
| 169 | 2065120 | 1 |
| 170 | 2065140 | 1 |
| 171 | 2065150 | 1 |
| 173 | 168480 | 1 |
| 174 | 2065100 | 1 |

6 0 6 5 0 3 0 / 1 1 8

SANDRIGARDEN s.r.l.

Sede legale: via Manzoni, 22 - 36027 - ROSÀ (VI) - ITALIA

Uffici: via Verdi, 13 - 23847 - MOLTENO (LC) - ITALIA Tel.031/3570411 - Fax.031/35704435